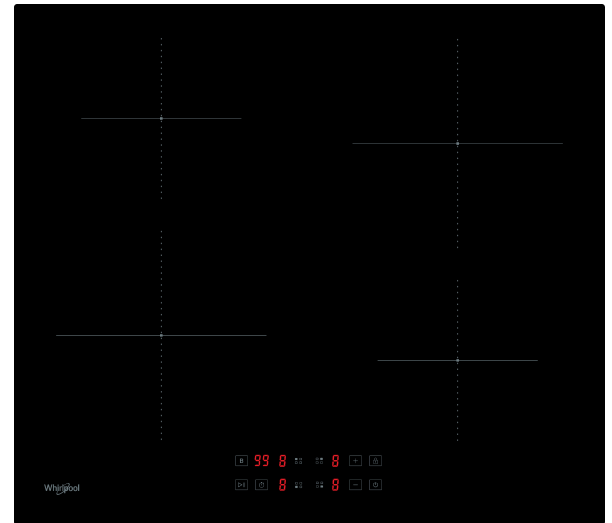





**IWSL6040CS | EAN: 4895120712614**  
**60cm 4 Zone Power Sharing Built-in Induction Hob**



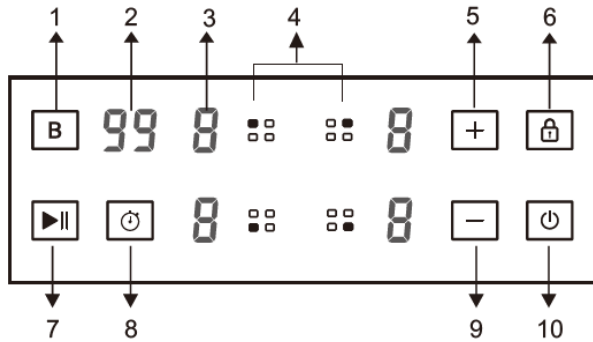
Design	
Type	60cm Built-in Induction Hob
Cooking Zones	4
Color / Finish	Black Ceramic Glass
Control	Touch Control
Location of Control Panel	Front
Product Net Weight	8.2kg
Product Dimension	W 590mm x H 56mm x D 520mm
Cut-out Dimension	W 560mm x D 480mm
Performance	
Functions	Stop & Go Function, Booster
Features	Child Lock, Timer, Pan Detection, Residual Heat Indicator, Auto Shutdown, Over-heat Protection, Over-flow Protection, Power Sharing
Total Power	2,800W
Left, Front Zone	2,000W Booster: 2,600W (φ210mm)
Left, Rear Zone	1,500W Booster: 2,000W (φ160mm)
Right Front Zone	2,000W, Booster 2,600W (φ210mm)
Right Rear Zone	1,500W, Booster: 2,000W (φ160mm)
Power setting	9 levels
Technical Specification	
Energy Input	Electric
Power Voltage	220-240V~, 50-60Hz
Length of Power Cord	110cm (with 13A BS plug)
Packaging Dimension	W 635mm x H 113mm x D 568mm
Gross Weight	9.8kg
Country of Origin	Asia
Warranty	
TBA	
Recommended Retail Price	
TBA	



**Features & Benefits**

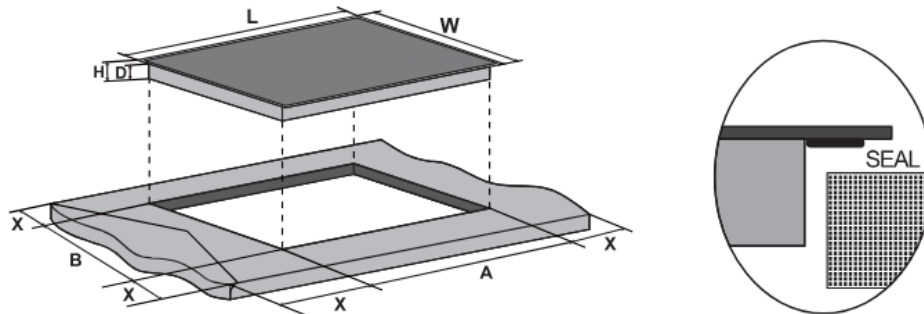
	<p><b>&lt;Induction Technology&gt;</b>                      Induction technology heats the pan, not the hob, reducing energy dispersion as well as achieving faster and energy-efficient cooking.</p>
	<p><b>&lt;Easy Plug &amp; Play&gt;</b>                      The 13amp plug allows for a fast, hassle-free installation, getting your kitchen up and running in moments.</p>
	<p><b>&lt;Power Sharing&gt;</b>                      Smart energy management distributes fixed current across multiple cooking zones without overloading the electrical system.</p>
	<p><b>&lt;Stop &amp; Go&gt;</b>                      Suspend the cooking process if you're interrupted then re-start again at the same temperature in an instant with the Stop &amp; Go function.</p>
	<p><b>&lt;Child Lock&gt;</b>                      Featuring a Child Lock function to prevent toddlers and children from accidentally using the hob.</p>

Control Panel

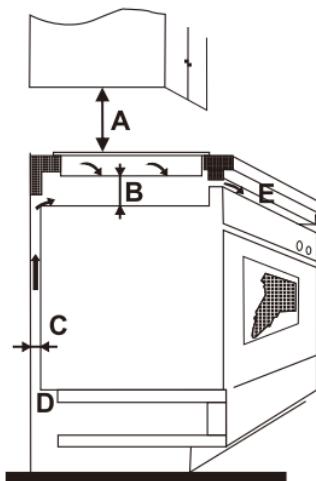


1. Booster button
2. Timer indicator
3. Cooking level indicator
4. Cooking Zone selection button
5. Cooking level/Timer "+" control button
6. Child Lock control button
7. Stop & Go control button
8. Timer control button
9. Cooking level/Timer "-" control button
10. ON/OFF button

Installation Information



Indication	L	W	H	D	A	B	X
Dimension	590mm	520mm	56mm	52mm	560mm	480mm	50mm



Indication	A	B	C	D	E
Dimension	650mm (min.)	50mm (min.)	20mm (min.)	20mm (Air inlet min.)	5mm (Air outlet min.)