

Design	
Colour/Finish	Fingerprint Resistant Black Glass
Display	16-colour 3.5" TFT screen
Control	LCD Touch Control
Door / Handle Design	Triple Glass Soft Closing Door with Stainless Handle
Cavity Type	Enamelled
Capacity	73 litres
Cooking Shelves	5 shelves
Weight	40.5kg
Product Dimension	W 595mm x H 595mm x D 564mm (543mm*)
Cut Out Dimension	W 560-568 mm x H 583-585mm x D 550mm
Performance	
Heating Methods	Fast Preheat, Conventional, Grill, Turbo Grill, Forced Air, Convection Bake, Steam, Eco Forced Air
Heating Temperature	90°C to 250°C
Functions	6TH SENSE Technology, Cook4, Defrost, Keep Warm, Rising, Convenience, Maxi Cooking, Slow Cooking, Frozen Bake
Features	Kitchen Timer, Control Lock, Light, Favorites, Audible Signals
Cleaning	Smart Clean (Hydrolytic)
Consumption Rates	
Energy Consumption	0.91 kwh/cycle
Energy Rating	Europe A+ Energy Efficiency
Accessories	
Wire Shelf, Baking Tray x 1, Steam Tray x 1, Telescopic Rails x 2, Drip Tray x 1	
Warranty	
2 years (exclude Commercial Use)	

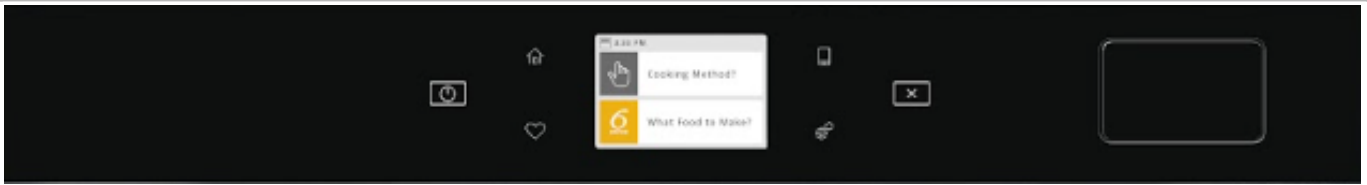


**Features & Benefits**

	<p><b>&lt;6TH SENSE Technology&gt;</b> No more guesswork. Simply pick your recipes, and let 6th SENSE cook them to perfection, every time. Up to 60 cooking recipes, organized to fit your lifestyle and diet, for a full assisted cooking experience.</p>
	<p><b>&lt;Pure SteamSense+&gt;</b> 100% Steam Cooking preserves nutrients at best and the Combi Steam cooks delicately reducing cooking time</p>
	<p><b>&lt;Forced Air + Steam&gt;</b> Combining the properties of steam with forced air, this function allows you to cook dishes pleasantly crispy and browned outside, but at the same time tender and succulent inside.</p>
	<p><b>&lt;Cook4&gt;</b> Cook up to four dishes at the same time without mixing of flavours or aromas</p>
	<p><b>&lt;Smart Clean&gt;</b> Smart Clean enables the steam to release during special low-temperature cleaning cycle allows dirt and food residues to be removed with ease. With SmartClean, the oven can be cleaned quickly and environmentally.</p>
	<p><b>&lt;Assisted Display&gt;</b> 16-colour 3.5" touchscreen that captures all the performance of Whirlpool's fantastic functions. Its slideshow capability provides intuitive images, simple suggestions and clear instructions for a unique assisted-cooking experience.</p>

\*Depth (Door handle excluded)

Control Panel

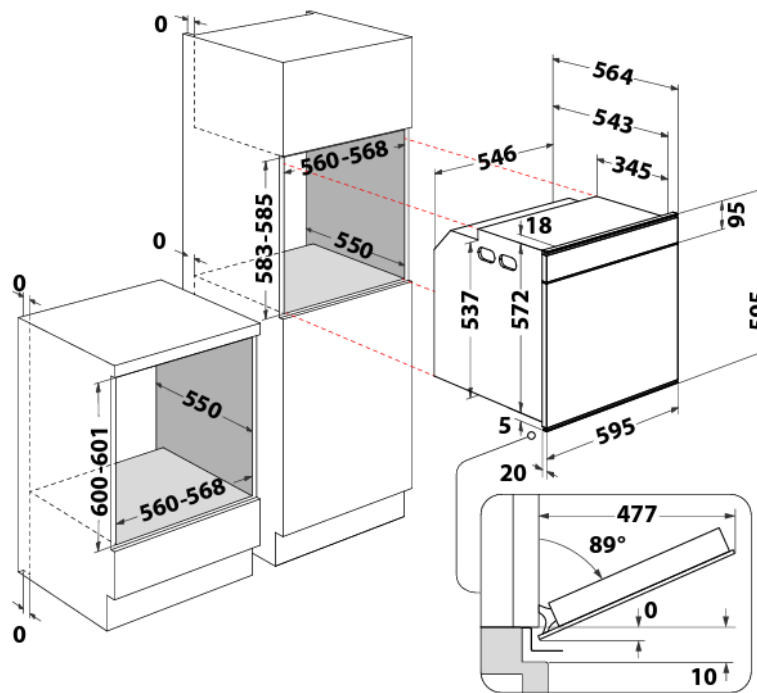


Technical Specifications

Max. Total Power	3650 W
Voltage	220-240 V
Frequency	50/60Hz
Default Current	16A
Current Settings	13A/16A
Length of Electrical Cord	90 cm
Plug	No Plug
Packaging Dimensions	W 630mm x H 690 mm x D 650mm
Gross Weight	42.5 kg
Net Weight	40.5 kg
Place of Manufacture	Italy

Installation Information

Product Dimensions	W 595mm x H 595mm x D 564mm (543mm*)
Cut Out Dimensions	As indicated in below illustration



\*Depth (Door handle excluded)