

**W9 MW261BLAUS | EAN: 8003437396663**  
**W COLLECTION 45cm Built-in Microwave Oven**

12NC:859991632200



| Design  |   |
|---|---|
| Colour/Finish   | Fingerprint Resistant Black Glass   |
| Display   | 16-colour 3.5" TFT screen   |
| Control   | LCD Touch Control   |
| Door / Handle Design  | Soft Closing Door with Stainless Handle   |
| Cavity Type   | Stainless Steel   |
| Capacity  | 40 litres   |
| Turntable   | 400mm   |
| Weight  | 29.7kg  |
| Product Dimension   | W 595mm x H 455mm x D 554mm (535mm*)  |
| Cut Out Dimension   | W 568 mm x H 453mm x D 550mm  |
| Performance   |   |
| Programmes  | 6th Sense Crisp Fry, 6th Sense Steam, 6th Sense Defrost, 6th Sense Reheat, Microwave, Crisp, Forced Air, Forced Air+Microwave, Grill, Grill+Microwave, Turbo Grill, Turbo Grill+Microwave, Fast Preheating, Keep Warm, Rising |
| Features  | Kitchen Timer, Control Lock, Light, Favorites, Audible Signals, Time Delay  |
| Power Levels  | 7 Power Levels  |
| Microwave Power   | 900W  |
| Grill Power   | 1,600W  |
| Accessories   |   |
| Crisp Plate x 1, Crisp Plate Handle x 1, Baking Tray x 1, Turntable x 1, Turntable Support x 1, Steamer x 1 |   |

| Warranty                         |
|----------------------------------|
| 2-years (Exclude Commercial Use) |

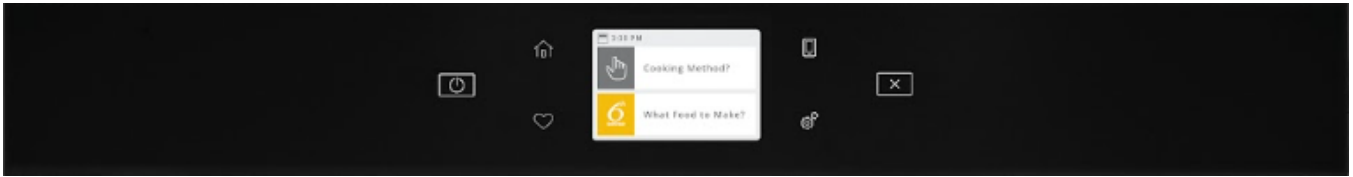
\*Depth (Door handle excluded)



**Features & Benefits**

|  |  |
|--|--|
|  | <p><b>&lt;6TH SENSE Technology&gt;</b><br/>                     No more guesswork. Simply pick your recipes, and let 6th SENSE cook them to perfection, every time. Up to 110 cooking recipes, organized to fit your lifestyle and diet, for a full assisted cooking experience.</p>                     |
|  | <p><b>&lt;Crisp Fry&gt;</b><br/>                     Unbeatable crispness with less oil. This Whirlpool Microwave's Crisp function and dedicated pan ensures you can cook the crispiest pizza, pie or quiche, anytime.</p>   |
|  | <p><b>&lt;Steam &amp; Boil&gt;</b><br/>                     Harnessing the natural power of steam, this convenient programme keeps flavours and nutrients sealed in, and steams or boils food in a set of special accessories for easier preparation and faster, tastier results.</p>                    |
|  | <p><b>&lt;Forced Air&gt;</b><br/>                     Preheated air is circulated inside using an innovative convection system, giving you moist, juicy cooking results.</p>   |
|  | <p><b>&lt;Smart Clean&gt;</b><br/>                     Innovative SmartClean technology cleans the oven thoroughly and efficiently in just 35 minutes, leaving no odours and without requiring a detergent.</p>  |
|  | <p><b>&lt;Assisted Display&gt;</b><br/>                     16-colour 3.5" touchscreen that captures all the performance of Whirlpool's fantastic functions. Its slideshow capability provides intuitive images, simple suggestions and clear instructions for a unique assisted-cooking experience.</p> |

**Control Panel**

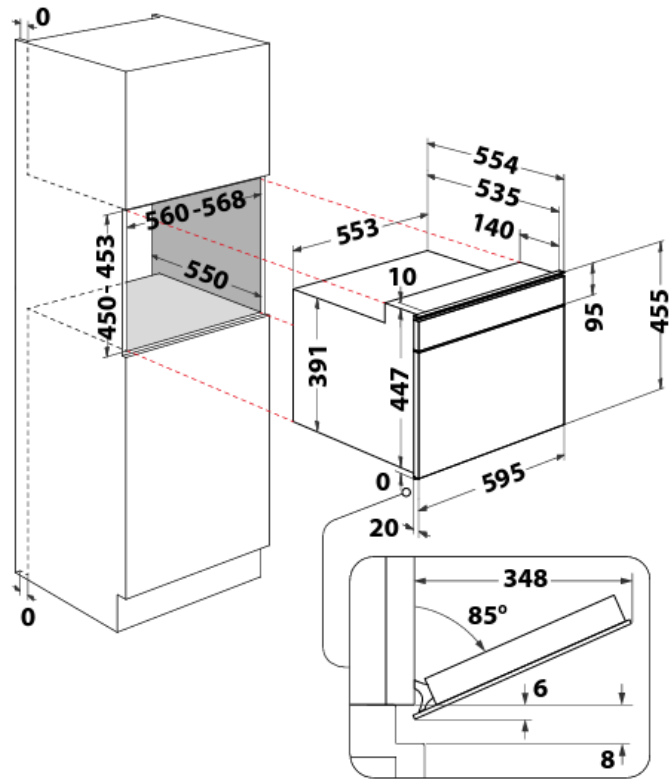


**Technical Specifications**

|                           |                             |
|---------------------------|-----------------------------|
| Max. Total Power          | 2800 W                      |
| Voltage                   | 230 V                       |
| Current                   | 16A                         |
| Plug                      | No Plug                     |
| Frequency                 | 50Hz                        |
| Length of Electrical Cord | 135 cm                      |
| Packaging Dimensions      | W 669mm x H 561 mm x D 685m |
| Gross Weight              | 33.4 kg                     |
| Net Weight                | 29.7 kg                     |
| Place of Manufacture      | Italy                       |

**Installation Information**

|                    |                                      |
|--------------------|--------------------------------------|
| Product Dimensions | W 595mm x H 455mm x D 554mm (535mm*) |
| Cut Out Dimensions | As indicated in below illustration   |



\*Depth (Door handle excluded)