





Design	
Colour/Finish	Black
Display	LED Digital
Control	Push Push Knobs
Door / Handle Design	Full Glass Door with Black Handle
Cavity Type	Enamelled
Capacity	71 litres
Cooking Shelves	5 shelves
Weight	26.9kg
Product Dimension	W 595mm x H 595mm x D 570mm (548mm*)
Cut Out Dimension	W 568mm x H 585mm x D 560mm
Performance	
Heating Methods	Conventional, Forced Air, Grill, Turbo Grill
Heating Temperature	60°C to 250°C
Functions	Rising, Pizza, Eco Forced Air, Maxi Cooking, Bread Auto, Pastry Auto
Cleaning	Flexi Clean (Pyrolytic/Hydrolytic)
Consumption Rates	
Energy Consumption	0.89 kwh/cycle
Energy Rating	Europe A+ energy efficiency
Accessories	
2 x Wire Shelf, 1 x Baking Tray, 1 x Deep Tray	
Warranty	
2-years (Exclude Commercial Use)	

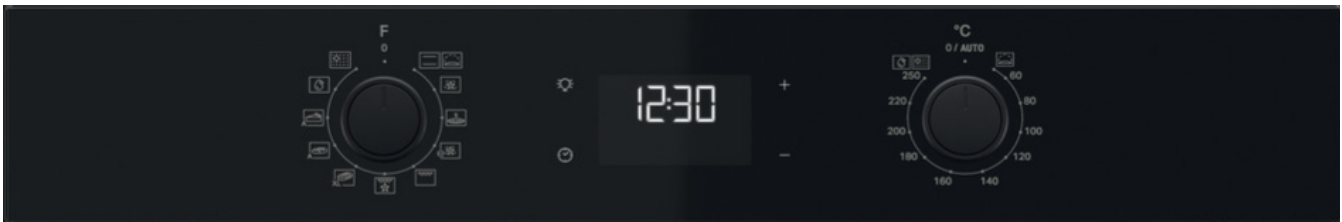


### Features & Benefits

	<p><b>&lt;Flexi Clean&gt;</b>                      With the options of Pyrolytic or Smart Clean/Hydrolytic. Pyrolytic technology uses a high-temperature cycle to burn food residues into ashes, which can then be easily wiped away with a sponge. This ensures spotless cleaning with minimal effort. Smart Clean enables the steam to release during special low-temperature cleaning cycle allows dirt and food residues to be removed with ease. With SmartClean, the oven can be cleaned quickly and environmentally.</p>
	<p><b>&lt;Cook3&gt;</b>                      Cook on three different dishes at the same time thanks to a special airflow that avoids aroma mixing.</p>
	<p><b>&lt;Telescopic Shelf&gt;</b>                      Extremely helpful for checking how the cooking is coming along, allow to easily insert, slide out or remove grids and casseroles.</p>
	<p><b>&lt;Turbo Grill&gt;</b>                      Fan grilling technology that cooks quickly and more evenly with a boost of hot air surrounding the grill zone. This feature has been designed to create a spit roast effect, so even thicker pieces of meat are crisp on the outside and tender on the inside.</p>

\*Depth (Door handle excluded)

Control Panel

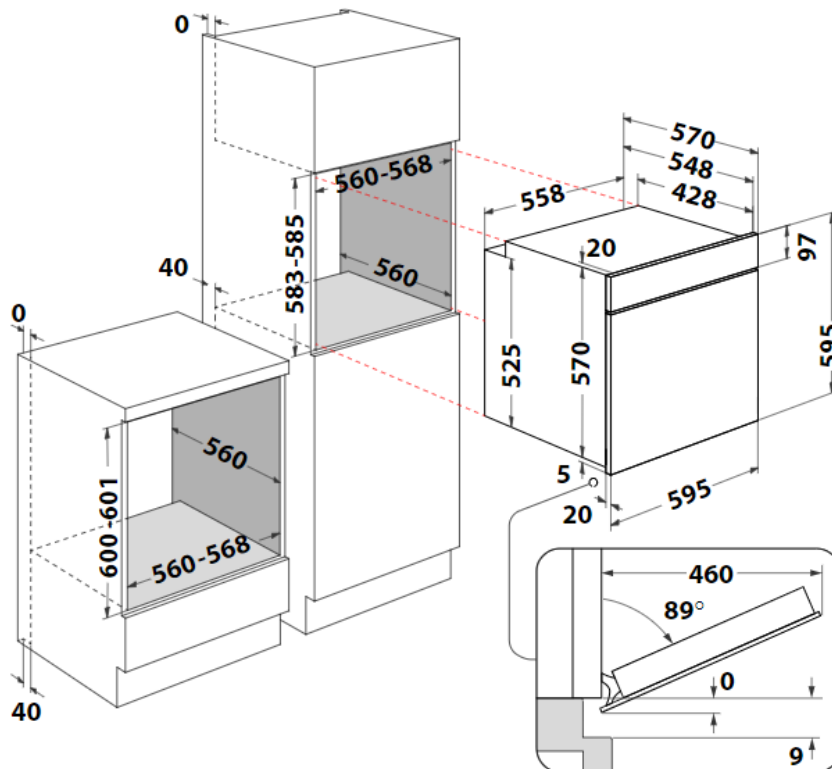


Technical Specifications

Max. Total Power	3300W
Voltage	220-240 V
Default Current	16A
Current Settings	13A/16A
Length of Electrical Cord	100cm
Plug	No Plug
Packaging Dimensions	W 640mm x H 670mm x D 650mm
Gross Weight	28.2kg
Net Weight	26.9kg
Place of Manufacture	Poland

Installation Information

Product Dimensions	W 595mm x H 595mm x D 570mm (548mm*)
Cut Out Dimensions	As indicated in below illustration



\*Depth (Door handle excluded)