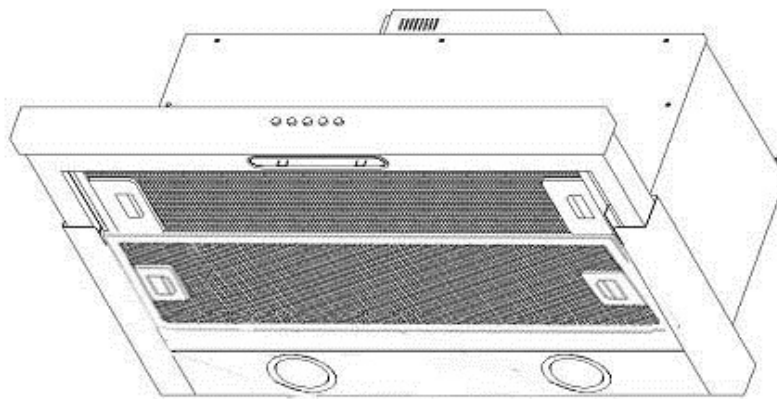




Instruction Manual

AKR6151IXS

AKR9151IXS



This manual and the appliance itself provide important safety warnings, to be read and observed at all times.

CONTENTS

IMPORTANT SAFETY INFORMATION

INSTALLATION & USE

MAINTENANCE

Product Specification & Technical Parameters

Model	AKR6151IXS AKR9151IXS
Rated Voltage	220-240V
Rated Power Frequency	50Hz
Light Power	2x2W
Motor Power	100W
Total Power	104W
Maximum suction	600m ³ /hr
Diameter of Exhaust Pipe	150mm
Product Dimension (mm)	900x(340-470)x307(AKR9151IXS) 600x(340-470)x307(AKR6151IXS)
Net Weight/ Gross Weight	17kg/21.5kg(AKR9151IXS) 12kg/15kg(AKR6151IXS)

Important Safety Information

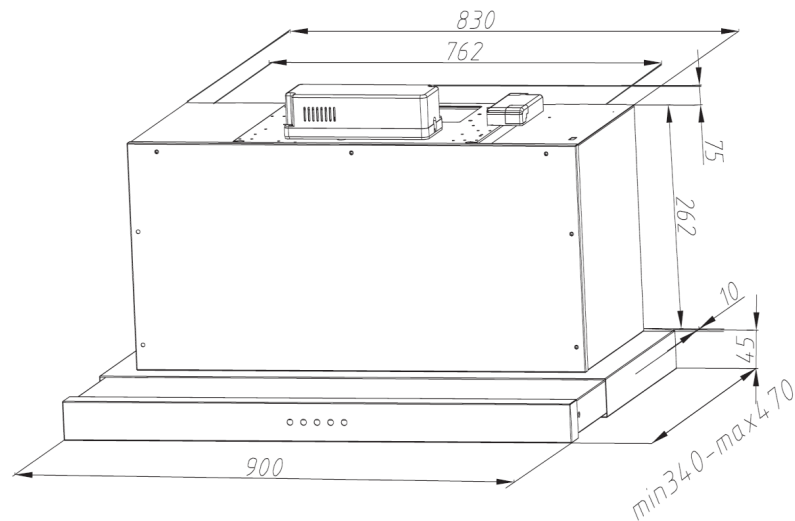
1. Always disconnect the hood from the power supply before carrying out any installation or maintenance operation on the appliance.
2. Installation must be carried out by a specialized technician, in compliance with the manufacturer's instructions and local safety regulations.
3. Earthing of the appliance is compulsory.
4. Never use multisockets and extension leads.
5. The electrical components must not be accessible after installation.
6. Do not touch the hood with wet parts of the body or use it with barefoot.
7. Do not pull the appliance power cable to unplug it.
8. After-sales service – do not repair or replace any part of the hood unless specifically indicated in the manual. All other maintenance services must be carried out by a specialized technician.
9. When drilling the wall, make sure not to damage the electrical connections and/or pipes.
10. The ventilation ducts must always discharge to the outside.
11. The Manufacturer declines any liability for improper use or incorrect setting of the controls.
12. The appliance is not intended for use by children or persons with limited physical, sensory or mental abilities or without experience and knowledge of it, unless they are under the supervision of or instructed in its use by a person responsible for their safety.
13. Keep children away.
14. To reduce the risk of fire, only use a metal inlet duct.
15. Children must be supervised so that they do not play with the appliance.
16. The product must be disposed of in compliance with local regulations on waste disposal.
17. For further information on the treatment, recovery and recycling of this product, contact the competent local office, the household waste collection service or the shop where you purchased the appliance.
18. Regular cleaning and maintenance is essential for correct hood operation and good performance. Frequently clean all encrustations from dirty surfaces to prevent the accumulation of grease. Regularly clean or replace filters.
19. Do not "flambé" food under the hood. Naked flames could cause a fire.
20. The room must have adequate ventilation when hood and hobs are using at the same time.
21. The discharge air must not be eliminated in a duct used to remove fumes produced by appliances operating on gas or other fuels, but must have a separate outlet. All the national regulations on air discharge envisaged by art. 7.12.1 of CEI EN 60335-2-31 must be observed.
22. If the hood is used together with other appliances operating on gas or other fuels, the negative pressure in the room must not exceed 4 Pa (4×10^{-5} bar). Therefore, make sure the room is adequately ventilated.

23. Do not leave pans unattended when frying, since the cooking oil could catch fire.
24. Make sure the lamps are cold before touching them.
25. The hood is not a shelf, therefore do not overload or place objects on it.
26. Do not use or leave the hood without its lamps correctly installed - risk of electric shock.
27. Wear work gloves for all installation and maintenance operations.
28. The product is not suitable for outdoor use and is designed for domestic use only
29. The air sucked by the hood must not be eliminated through the same flue of the heating system or other appliances using gas or other fuels.
30. The minimum distance is 750mm from the cooker hood to a gas hob, and is 650mm to an electric hob. If the installation instructions for the cooker specify a greater distance between cooker and hood, this distance must be observed.

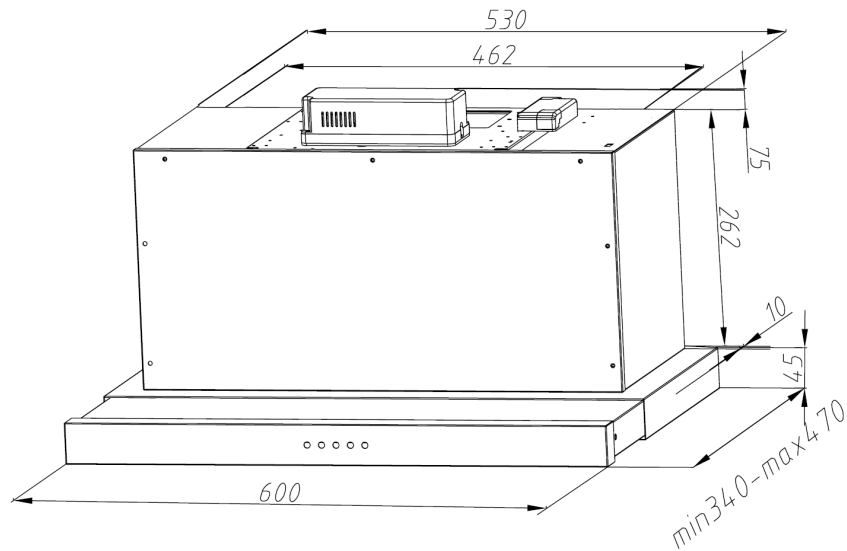
Installation

Dimensions

AKR9151IXS



AKR6151IXS



Electrical Connection

1. Make sure the power voltage specified on the appliance rating plate is the same as the mains voltage. This information can be found inside the hood,
2. Before reconnecting the hood circuit to the power supply and checking correct operation, always make sure the power cable is correctly fitted and that it was NOT crushed in its housing during installation. Make sure to have this operation carried out by a qualified technician in accordance with all local codes and standards.
3. Turn off electrical power before installation.
4. If supply cord is damaged, please call manufacturer for replacement to avoid any electrical hazards.
5. Do not use plug and extension cord other than the one provided.
6. Earthing of the hood is compulsory. Do not remove ground prong of the plug.

GENERAL RECOMMENDATIONS

Before use

Remove cardboard protection pieces, protective film and adhesive labels from accessories.
Check the appliance for any transport damage.

During use

To avoid any damage do not place any weights on the appliance.

Do not expose the appliance to atmospheric agents.

This is a heavy product; the hood should only be lifted and installed by two or more people

MOUNT THE HOOD BODY

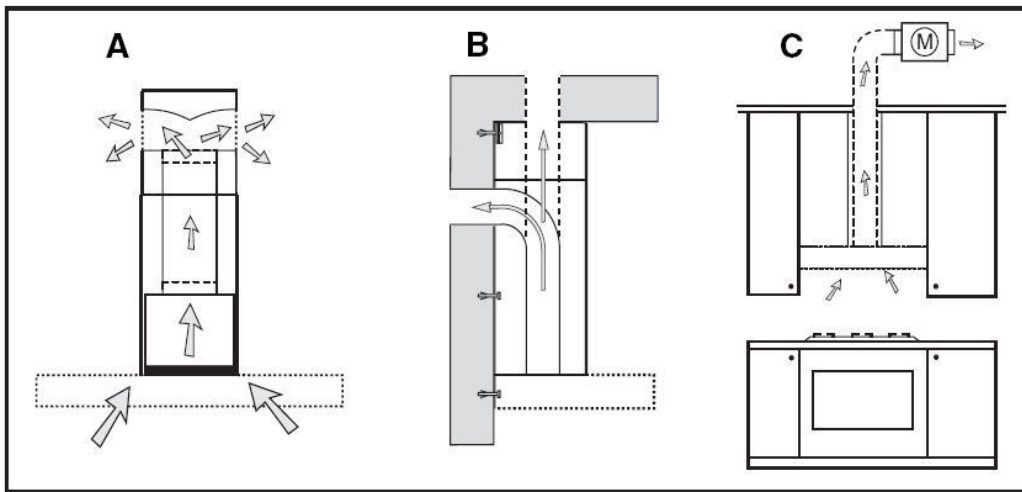


Fig.1

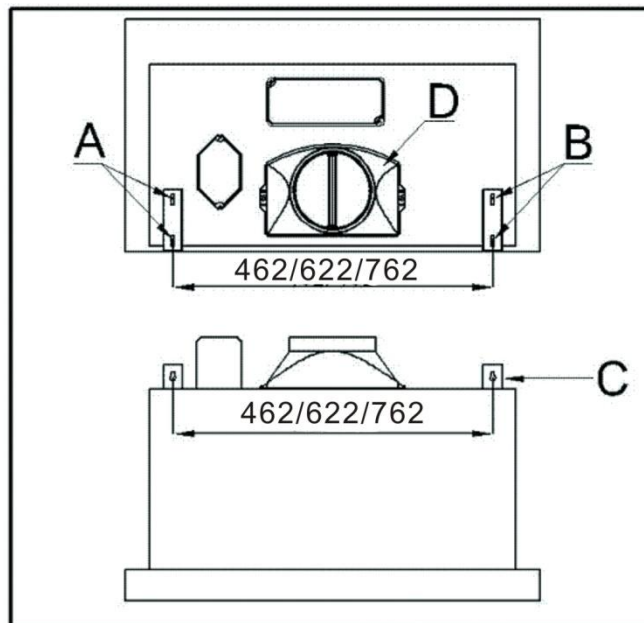


Fig 2

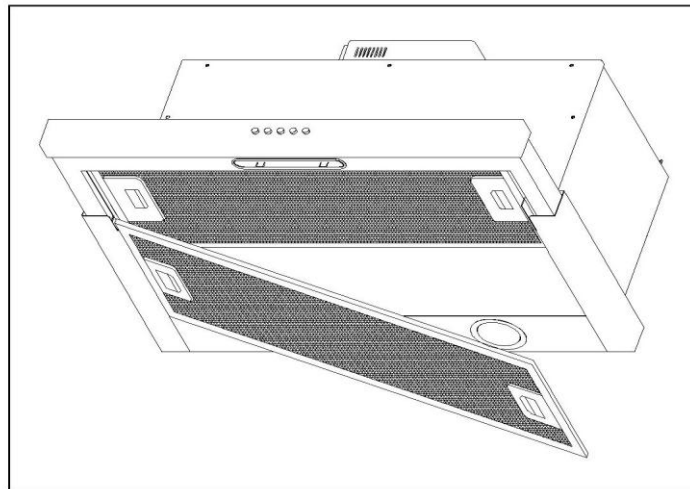


Fig 3

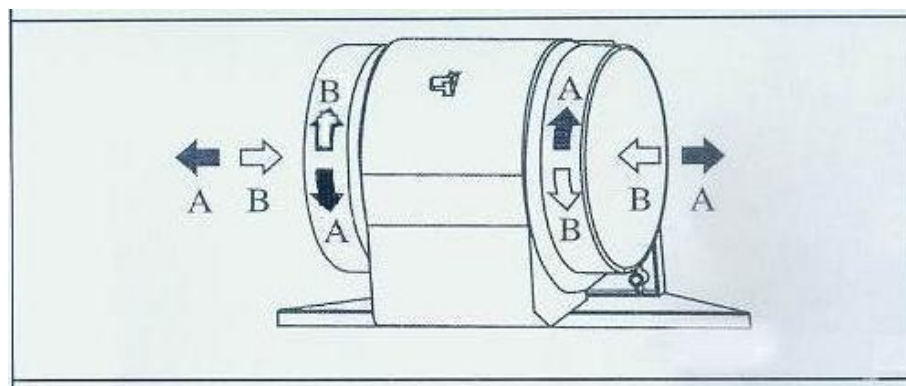


Fig 4

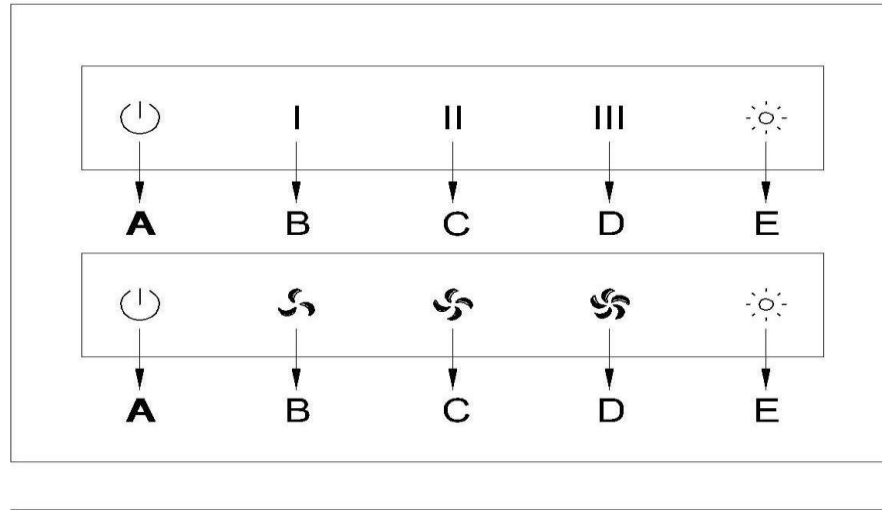
1. The minimum distance between the support surfaces of the cooking pots on the cooker top and the lowest part of the cooker hood must be at least 65 cm.
2. Remove all filter(s) (Fig.5) before installation.
3. Drill two $\phi 8$ holes in the wall according to point C. (Fig.2)
4. Place the hook in the point A point B and fasten it with ST4X10 cross recess head screw. (Fig.2)
5. Insert expansion pipe into the two holes, then punch ST4*40 expansion bolt into the expansion pipe , do remember to leave over measure of 10cm .
6. Place the hook hole of chimney hood into the expansion bolt, and make sure that expansion bolt is fully inserted into expansion pipe.
7. This model can be installed as filtered version with optional charcoal filters purchased from manufacturers. Filters can be installed as Fig 4.

REMARKS

1. A straight, short pipe will allow the hood to perform efficiently.
2. Long duct, elbows and transitions will reduce performance of the hood. Use as few as possible. Bigger pipe may need when using long duct.

3. It is suggested to keep a minimum 100cm straight line pipe between bends and elbows for better performance.

Operation



Normal Operation

1. "E" = turn ON/OFF the lamp
2. "B" = turn on at speed 1
3. "C" = turn on at speed 2
4. "D" = turn on at speed 3
5. Delayed off
 1. "A" = Press once to turn on 15mins delayed off
 2. "A" = Press twice to turn off delayed off

Maintenance

Make sure appliance is switch off or unplug before carrying out any maintenance work.

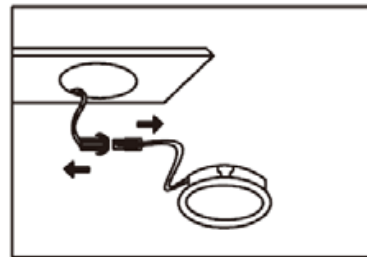
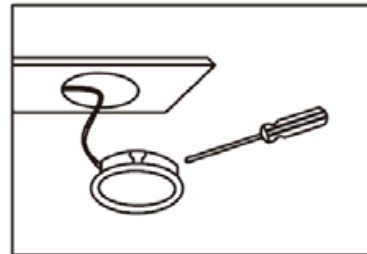
Grease Filter

1. The filters are washable at least every 2 months of operation, or more frequently for particularly heavy usage.
2. Remove the filter one at a time by supporting them with one hand and push the lock to release the filter.

3. Wash the filters in mild detergent and rinse with warm water. Allow them to dry before refitting
4. Refit them by pressing the latch on filter.
5. Please pay attention and not to bend aluminum filter during your cleaning process
6. The filters is dish-washer safe.
7. Please note that filters may alter color after several washes.

Light bulb

LED lamps are a spare part and are not repairable, LED lamps can be easily removed and replacements installed, note plug and socket connection. Please contact Technika spare parts department for replacements.



Hood Cleaning

1. Use soap or mild detergent with hot water to clean the hood.
2. Rinse with water and wipe dry with a dry and clean cloth.
3. For discolorations or deposits that persist, use a non-scratching household cleanser or stainless steel polishing powder with a little water and a soft cloth.
4. For a very dirty hood, please use a plastic scouring pad or soft bristle brush together with cleanser and water. Rub lightly in direction of polishing lines or “grind” of the aluminum finish. Avoid using too much pressure that may mar the surface. do not use abrasive sponges or metallic scrapers or scourers. Over time, these can damage hood surface and cause rust.
5. Do not use corrosive strong acidic detergent to clean the hood.

Charcoal Filters

1. The filters are not washable nor re-useable and recommended to be replaced every 4 months.(Fig.4)

Trouble Shooting Guide

In case if the Cooker Hood does not work or work improperly, before calling the after sales service, switch off the appliance, unplug the power supply and refer to the guide below to solve the problem.

S.No.	Status	Reasons	Solutions
1	Lamp doesn't work	Power supply not connected	Check if the power cord is properly connected or not
		Lamp is damaged	Call consumer service for support
2	Hood is noisy	Filter not properly fitted	Remove and refit the filters properly
		Hood is not installed properly	Call consumer service for support
3	Poor performance with low suction	Distance between Hood and Hob is too high	Call consumer service for support
		Filter is choked	Clean filter and refit in its place
		Duct is damaged	Call consumer service for support