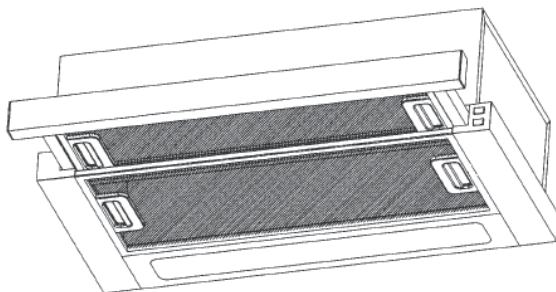


Whirlpool

INSTRUCTION MANUAL

Telescopic Hood

AKR6152IXDS-C / AKR9152IXDS-C



Contents

For Your Safety	3
Safety Precautions	3
Before connecting to the electricity network:	3
WARNINGS!	3
Use and Care	4
Incandescent Globe(Light bulb)	5
Controls	5
Mechanical Switch	6
Cleaning your hood	6
Troubleshooting	7
Disposal	8
Installation	8
Electrical Connection	8
Dimensions	9
Instrudions for Installation	10
Fixing to the Wall	10
Warranty	12

For Your Safety

Carefully read the following important information regarding installation safety and maintenance. Keep this information booklet accessible for future reference.

The appliance has been designed for use in a Recirculation/Ducted installation.

Safety Precautions

Take care when the Hood is operating simultaneously with an open fireplace or burner that depend on natural ventilation as the Hood removes air from the room which, a burner or fireplace may need for combustion.

Provide adequate ventilation for safe operation of the Range Hood. Follow any local laws that apply to external air evacuation.

Before connecting to the electricity network:

Look at the data plate (located inside the appliance) to ascertain that the voltage and power correspond to the available power supply and the power outlet is suitable. If in doubt ask a qualified electrician.

If the appliance is used intensively for a long period of time, you may need to opening a window to improve airflow.

WARNINGS!

- Do not check the status of the filters while the Hood is operating.
- Do not touch bulbs or adjacent areas, during or straight after use.
- CAUTION: Accessible parts may become hot when used with cooking appliances.
- Do not flambe under the Hood.
- Avoid free flame, as it is damaging to the filters and can cause fire hazard.
- Constantly check food frying, overheated oil may become a fire hazard.
- Disconnect the electrical plug prior to any maintenance.
- This appliance is not intended for use by persons (including children) with reduced physical, sensory or mental capabilities, or lack of experience

and knowledge, unless they have been given supervision or instruction concerning use of the appliance by a person responsible for their safety.

- Children should be supervised to ensure that they do not play with the appliance.
- There shall be adequate ventilation in the room when the Range Hood is used at the same time as appliances burning gas or other fuels.
- There is a fire risk if cleaning is not carried out in accordance with the instructions.
- **WARNING: DO NOT** penetrate any screws into the range hood as this may result in electrical hazards.
- **WARNING:** Failure to install the screws or fixing device in accordance with these instructions may result in electrical hazards.
- If the supply cord is damaged, it must be replaced by the manufacturer, its service agent or similarly qualified persons in order to avoid a hazard.
- The air must not be discharged into a flue that is used for exhausting fumes from appliances burning gas or other fuels.
- The minimum distance between the supporting surface for the cooking vessels on the hob and the lowest part of the range hood shall be at least 65cm. If the instructions for installation of the gas hob specify a greater distance, this has to be taken into account.
- Regulation concerning the discharge of air has to be fulfilled.

THE MANUFACTURER DECLINES ALL RESPONSIBILITY FOR DAMAGES CAUSED BY BREACHING THE ABOVE WARNINGS.

Use and Care

Before using the hood, open the slide-out shell.

It is recommended to start the Hood prior to commencing to cook and leave the Hood in operation for 15 minutes after cooking is finished in order to completely eliminate cooking vapours and odours.

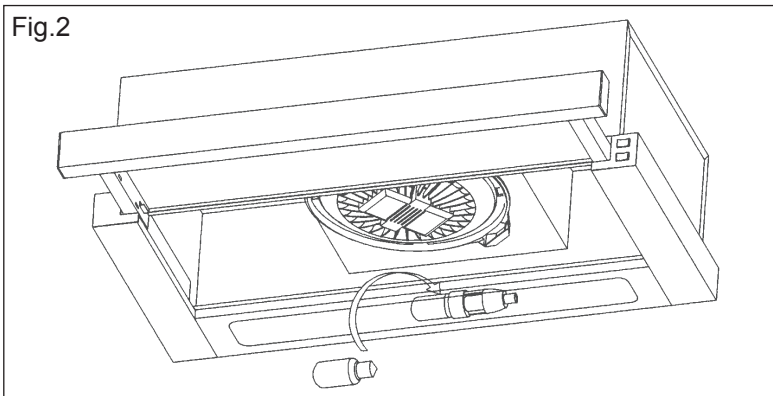
To ensure the Hood continues to operate effectively, regular maintenance and cleaning is required . Clean the fan and other surfaces of the Hood regularly using a cloth moistened with warm water or non abrasive liquid

detergent.

Incandescent Globe(Light bulb)

The light globe is designed for use during cooking and not for prolonged general illumination of the environment. Prolonged use of the light notably reduces the life of the bulb.

To replace the light globe remove the anti-grease filters. Reach under the glass diffuser and unscrew the globe (See Fig. 2). Screw in the replacement globe and refit the anti-grease filters.



Controls

Light Switch:

Press switch A and the light will always ON.

Press switch F to switch off.

Press switch E when hood is pull out; and light will automatically OFF when hood is pull in.

To run the fan in SPEED I, press the switch to the D position. To stop the fan, push the switch back to the middle C position.

To run the fan in SPEED II, press the switch to the B position. To stop the fan, push the switch back to the middle C position.

Mechanical Switch

Commands Pattern: (Fig.3)

A= LIGHT

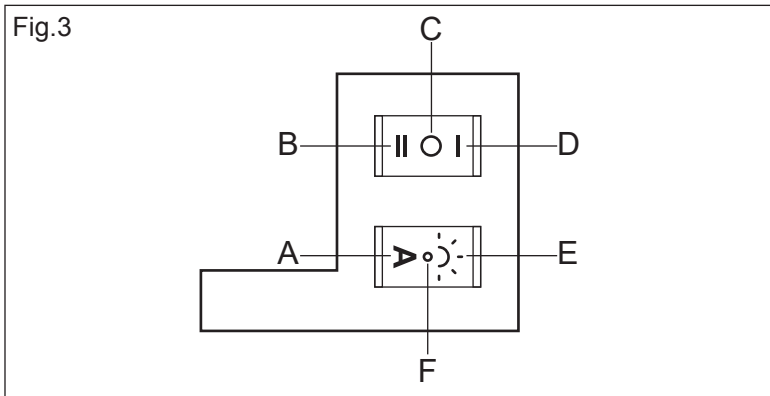
B= SPEED II

C=OFF

D= SPEED I

E= LIGHT

F=OFF



Cleaning your hood

The proper function of the hood requires regular maintenance operations.

The anti-grease filters capture the grease particles suspended in the air, and are therefore subject to clogging according to the frequency of the use of the appliance.

In order to prevent fire hazard, it is recommendable to clean the filter at a maximum of 2 months by carrying out the following instructions:

Remove the filters from the cooker hood and wash them in a solution of water and neutral liquid detergent, leaving to soak.

Rinse thoroughly with warm water and leave to dry.

The filters may also be washed in the dishwasher.

Before removing the filters, you should remove the outside filter first, then pull the slide-out shell to the farthest distance position prior to removing the inside filter.

When installing the filters, install the inside filter first with the slide out shell in the farthest distance position, and then install the outside filter.

The aluminum panels may alter in color after several washes. This is not cause for customer complaint nor replacement of panels.

Clean the fan and other surfaces of the cooker hood regularly using a cloth moistened with denatured alcohol or non abrasive liquid detergent.

Troubleshooting

Problem	Possible reason	Solution
Hood doesn't work	No electricity supply	Check the plug is connected
		Check that the main switch/ circuit breaker/safety switch is turned on
	Rangehood is folded closed	Unfold the pull-out shell
Poor airflow	Aluminum grease filters clogged	Clean the filters and replace when dry
Motor running but no airflow	Butterfly valve jammed	Contact service department
Motor turns off after a few minutes	High temperature safety device activated	The kitchen is not sufficiently ventilated
	The hood is installed too near to the cooking stove	The hood must be at least 650mm from stove
Oil dripping onto stove	Aluminum grease filters saturated	Wash the aluminum grease filters
Whirring sound	Something in contact with fan blade	Contact service department

Disposal

By ensuring this product is disposed of correctly, you will help prevent potential negative consequences for the environment and human health, which could otherwise be caused by inappropriate waste handling of this product.

The symbol on the product indicates that this product may not be treated as household waste. Instead it shall be handed over to the applicable collection point for the recycling of electrical and electronic equipment.

Disposal must be carried out in accordance with local environmental regulations for waste disposal.

For more detailed information about treatment, recovery and recycling of this product, please contact your local city council office.

Installation

Assembly and electrical connections must be carried out by authorised personnel.

Electrical Connection

The Hood is fitted with a power cord 3 pin plug will be supplied for selected models only. Install the Hood so that connection is easily accessible. Connection shall be properly earthed, 10A general purpose power outlet.

If the supply cord is damaged, it must be replaced by the manufacturer or its service agent or a similarly qualified person in order to avoid a hazard.

The appliance has been manufactured as a class I, therefore earth cable is necessary.

The connection to the mains is carried out as follow:

	IEC227	North America
L = Live	Brown	Black
N = Neutral	Blue	White
E = Earth	Green/Yellow	Green

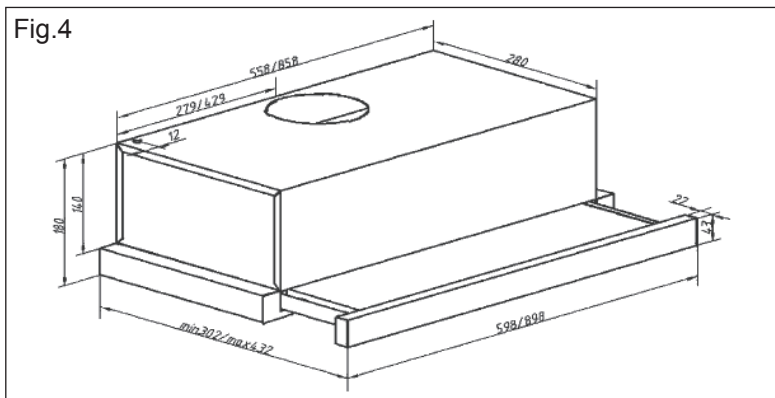
If not provided, connect a plug for the electrical load indicated on the description label. Where a plug is provided, the cooker hood must be installed so that the plug is easily accessible after installation.

An omnipolar switch with a minimum aperture of 3mm between contacts, in line with the electrical load and local standards, must be placed between the appliance and the network in the case of direct connection to the electrical network.

Dimensions

AKR9152IXDS-C

AKR6152IXDS-C



Instructions for Installation

Install range hoods in accordance with the manufacturer's instructions. The range hood clearance should have a minimum 650mm to 700mm from the top of the cooking surface to the underside of the Hood.

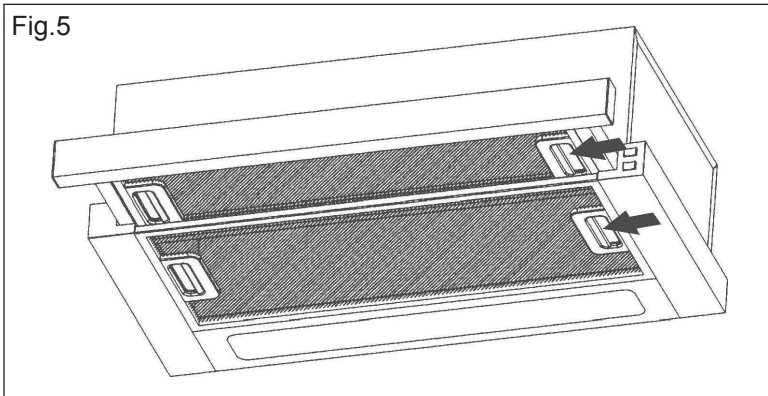
WARNING: DO NOT penetrate any screws into the range hood as this may result in electrical hazards.

WARNING: Failure to install the screws or fixing device in accordance with these instructions may result in electrical hazards.

If a connection flue composed of two parts is used, the upper part must be placed outside the lower part.

Exhaust air must not be discharged into a flue which is used for exhausting fumes from appliances burning gas or other fuels. Installation must comply with any local regulations concerning the discharge of exhaust air.

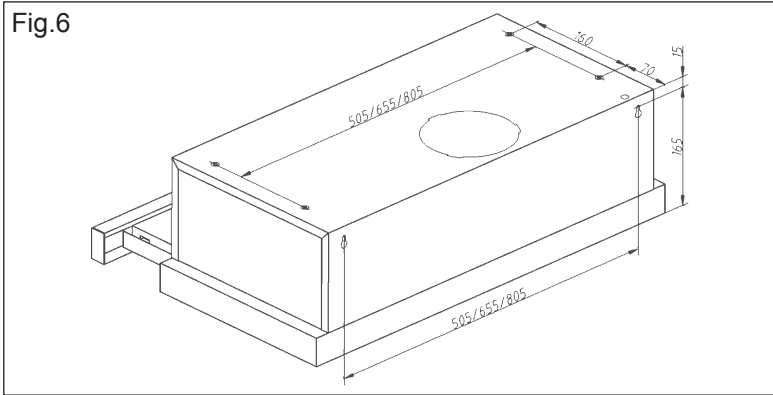
Before proceeding with the assembly, remove the anti-grease filter(s) (Fig.5) so that the unit is easier to handle. Prepare the hole in the ceiling or wall for the evacuation of the air.



Fixing to the Wall

Position the hood, then mark and drill the holes (A) according to the distances indicated (Fig.6).

Fig.6



Fix the appliance to the wall and align it in horizontal position to the wall cupboards. When the appliance has been adjusted, fix the hood using the screws (A).

For various installation types, use screws and screw anchors suited to the type of wall (e.g. reinforced concrete, plasterboard, etc.). If the screws and screw anchors are provided with the product, check that they are suitable for the type of wall on which the hood is to be fixed.

Make sure ductwork is connected to the air exhaust hole with a connecting pipe.

To transform the hood from a ducting version into a recirculating version, ask your dealer for the charcoal filters and follow the installation instructions.

Warranty



**PRODUCT WARRANTY
REGISTRATION**
(For Singapore customers only)



Thank you for choosing Whirlpool or Ariston.
Please register your warranty online within 15 days of purchase.

3 SIMPLE STEPS TO REGISTER:

- 1** Go to www.whirlpool.com.sg or www.aristonchannel.com.sg.
- 2** Create an account with us. You can register warranty and check your registered products.
- 3** Key in your Product model and Serial Number to register!

For more information, please call our Customer Service Hotline **6250 6888** or email to helpdesk.sg@whirlpool.com.

IMPORTANT NOTICE:

Warranty is only valid and applicable to Whirlpool and Ariston products purchased from authorized dealers in Singapore. Please keep your ORIGINAL PURCHASE RECEIPT and present it for verification when required. Whirlpool Southeast Asia Pte reserves the right to reject the warranty claim not registered online. © Whirlpool Southeast Asia Pte

