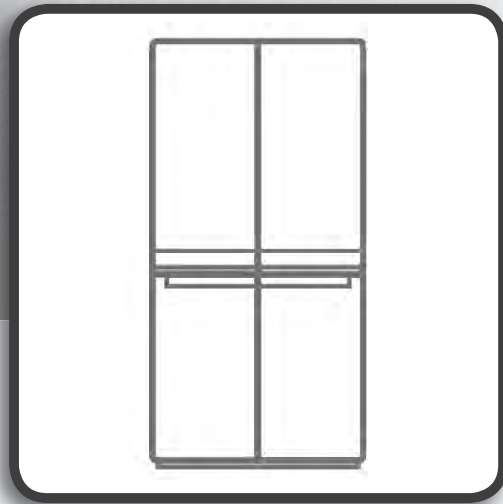


Whirlpool



**Health & Safety, Use and Care and Installation** guide  
產品安全指引、使用說明及安裝指南

Model 產品型號 : 5WQ24NIJAS



[www.whirlpool.com.hk](http://www.whirlpool.com.hk)  
[www.whirlpool.com.sg](http://www.whirlpool.com.sg)



# FRENCH DOOR BOTTOM MOUNT REFRIGERATOR USE AND CARE GUIDE

Dear User,

Thank you for choosing our products. We are sure you will find your new appliance is pleasure to use. Before you use the appliance, we recommend that you read through these instructions carefully and retain for future reference. Design and specification may change due to product development, no prior notice will be given.

## Table of Contents

<b>REFRIGERATOR SAFETY</b> .....	<b>3</b>
Proper Disposal of Your Old Refrigerator .....	6
<b>PARTS AND FEATURES</b> .....	<b>7</b>
<b>INSTALLATION INSTRUCTIONS</b> .....	<b>8</b>
Getting Started.....	8
Unpack the Refrigerator .....	8
Location Requirements.....	9
Electrical Requirements .....	9
Remove and Replace Refrigerator Doors .....	11
Remove and Replace Freezer/Flexi Freeze Door.....	13
Refrigerator Levelling.....	14
Using the Controls .....	15
Lighting the Refrigerator .....	16
<b>REFRIGERATOR USE</b> .....	<b>17</b>
Opening and Closing Doors .....	17
Food Storage .....	17
<b>SHELVES, BINS AND DRAWERS</b> .....	<b>18</b>
Freezer Storage Compartments .....	19
Audio Reference .....	19
Accessories.....	19
Assistance or Service .....	19
<b>REFRIGERATOR CARE</b> .....	<b>20</b>
Cleaning .....	20
Lights.....	21
Holiday and Moving Care .....	21
<b>TROUBLESHOOTING</b> .....	<b>22</b>

# REFRIGERATOR SAFETY

## Your safety and the safety of others are very important.

We have provided many important safety messages in this manual and on your appliance. Always read and obey all safety messages.



This is the safety alert symbol.

This symbol alerts you to potential hazards that can kill or hurt you and others.

All safety messages will follow the safety alert symbol and either the word "DANGER" or "WARNING."

These words mean:

 **DANGER**

You can be killed or seriously injured if you don't immediately follow instructions.

 **WARNING**

You can be killed or seriously injured if you don't follow instructions.

All safety messages will tell you what the potential hazard is, tell you how to reduce the chance of injury, and tell you what can happen if the instructions are not followed.

## SAFETY INSTRUCTIONS

Before using the appliance, read these safety instructions. Keep them nearby for future reference. These instructions and the appliance itself provide important safety warnings, to be observed at all times. The manufacturer declines any liability for failure to observe these safety instructions, for inappropriate use of the appliance or incorrect setting of controls.

⚠ Very young children (0-3 years) should be kept away from the appliance. Young children (3-8 years) should be kept away from the appliance unless continuously supervised. Children from 8 years old and above and persons with reduced physical, sensory or mental capabilities or lack of experience and knowledge can use this appliance only if they are supervised or have been given instructions on safe use and understand the hazards involved. Children must not play with the appliance. Cleaning and user maintenance must not be carried out by children without supervision.

### PERMITTED USE

⚠ CAUTION: The appliance is not intended to be operated by means of an external switching device, such as a timer, or separate remote controlled system.

⚠ This appliance is intended to be used in household and similar applications such as: staff kitchen areas in shops, offices and other working environments; farm houses; by clients in hotels, motels, bed & breakfast and other residential environments.

⚠ This appliance is not for professional use. Do not use the appliance outdoors.

⚠ The appliance is designed for operation in places where the ambient temperature comes within the following ranges, according to the climatic class given on the rating plate. The appliance may not work properly if it is left for a long time at a temperature outside the specified range.

Climatic Class Amb. T. (°C)

SN: From 10 to 32 °C; N: From 16 to 32 °C

ST: From 16 to 38 °C; T: From 16 to 43 °C

⚠ This appliance does not contain CFCs. The refrigerant circuit contains R600a (HC). Appliances with Isobutane (R600a): isobutane is a natural gas without environmental impact, but is flammable. Therefore, make sure the refrigerant circuit pipes are not damaged, especially when emptying the refrigerant circuit.

⚠ WARNING: Do not damage the appliance refrigerant circuit pipes.

⚠ WARNING: Keep ventilation openings, in the appliance enclosure or in the built-in structure, clear of obstruction.

## IMPORTANT TO BE READ AND OBSERVED

⚠ WARNING: Do not use mechanical, electric or chemical means other than those recommended by the Manufacturer to speed up the defrost process.

⚠ WARNING: Do not use or place electrical devices inside the appliance compartments if they are not of the type expressly authorised by the Manufacturer.

⚠ WARNING: Ice makers and/or water dispensers not directly connected to the water supply must be filled with potable water only.

⚠ Do not store explosive substances such as aerosol cans with a flammable propellant in this appliance.

⚠ Do not swallow the contents (non-toxic) of the ice packs (provided with some models). Do not eat ice cubes or ice lollies immediately after taking them out of the freezer since they may cause cold burns.

⚠ For products designed to use an air filter inside an accessible fan cover, the filter must always be in position when the refrigerator is in function.

⚠ Do not store glass containers with liquids in the freezer compartment since they may break. Do not obstruct the fan (if included) with food items. After placing the food check that the door of the compartments closes properly, especially the freezer door.

⚠ Damaged gaskets must be replaced as soon as possible.

⚠ Use the fresh food compartment only for storing fresh food and the freezer compartment only for storing frozen food, freezing fresh food and making ice cubes.

⚠ Avoid storing unwrapped food in direct contact with internal surfaces of the fresh food or freezer compartments. Appliances could have special compartments (Fresh Food Compartment, Flexi Freezer, etc.).

Unless specified in the specific booklet of product, they can be removed, maintaining equivalent performances.

### INSTALLATION

⚠ The appliance must be handled and installed by two or more persons - risk of injury. Use protective gloves to unpack and install - risk of cuts.

⚠ Installation, including water supply (if any) and electrical connections, and repairs must be carried out by a qualified technician. Do not repair or replace any part of the appliance unless specifically stated in the user manual. Keep children away from the installation site.

After unpacking the appliance, make sure that it has not been damaged during transport. In the event of problems, contact the dealer or your nearest After-sales Service. Once installed, packaging waste (plastic, styrofoam parts etc.) must be stored out of reach of children - risk of suffocation. The appliance must be disconnected from the power supply before any installation operation - risk of electric shock. During installation, make sure the appliance does not damage the power cable - risk of fire or electric shock. Only activate the appliance when the installation has been completed.

⚠ Be careful not to damage the floors (e.g. parquet) when moving the appliance. Install the appliance on a floor or support strong enough to take its weight and in a place suitable for its size and use. Make sure the appliance is not near a heat source and that the four feet are stable and resting on the floor, adjusting them as required, and check that the appliance is perfectly level using a spirit level. Wait at least two hours before switching the appliance on, to ensure that the refrigerant circuit is fully efficient.

⚠ To guarantee adequate ventilation, leave a space on both sides and above the appliance. The distance between the rear of the appliance and the wall behind the appliance should be 50mm, to avoid access to hot surfaces. A reduction of this space will increase the Energy consumption of product.

⚠ **WARNING:** To avoid a hazard due to instability, positioning or fixing of the appliance must be done in accordance with the manufacturer instructions. It is forbidden to place the refrigerator in such way that the metal hose of gas stove, metal gas or water pipes, or electrical wires are in contact with the refrigerator back wall (condenser coil).

⚠ If it is necessary to replace the doors, please contact the Technical Assistance Center.

### **ELECTRICAL WARNINGS**

⚠ It must be possible to disconnect the appliance from the power supply by unplugging it if plug is accessible, or by a multi-pole switch installed upstream of the socket in accordance with the wiring rules and the appliance must be earthed in conformity with national electrical safety standards.

⚠ Do not use extension leads, multiple sockets or adapters. The electrical components must not be accessible to the user after installation. Do not use the appliance when you are wet or barefoot. Do not operate this appliance if it has a damaged power cable or plug, if it is not working properly, or if it has been damaged or dropped.

⚠ If the supply cord is damaged, it must be replaced with an identical one by the manufacturer, its service agent or similarly qualified persons in order to avoid a hazard - risk of electric shock.

⚠ **WARNING:** When positioning the appliance, ensure the supply cord is not trapped or damaged.

⚠ **WARNING:** Do not locate multiple portable socket-outlets or portable power supplies at the rear of the appliance.

### **CLEANING AND MAINTENANCE**

⚠ **WARNING:** Ensure that the appliance is switched off and disconnected from the power supply before performing any maintenance operation; never use steam cleaning equipment - risk of electric shock.

⚠ Do not use abrasive or harsh cleaners such as window sprays, scouring cleansers, flammable fluids, cleaning waxes, concentrated detergents, bleaches or cleansers containing petroleum products on plastic parts, interior and door liners or gaskets. Do not use paper towels, scouring pads, or other harsh cleaning tools.

### **DISPOSAL OF PACKAGING MATERIALS**

The packaging material is 100% recyclable and is marked with the recycle symbol ♻.

The various parts of the packaging must therefore be disposed of responsibly and in full compliance with local authority regulations governing waste disposal.

### **DISPOSAL OF HOUSEHOLD APPLIANCES**

This appliance is manufactured with recyclable or reusable materials. Dispose of it in accordance with local waste disposal regulations. For further information on the treatment, recovery and recycling of household electrical appliances, contact your local authority, the collection service for household waste or the store where you purchased the appliance. This appliance is marked in compliance with European Directive 2012/19/EU, Waste Electrical and Electronic Equipment (WEEE). By ensuring this product is disposed of correctly, you will help prevent negative consequences for the environment and human health.

The symbol ⚡ on the product or on the accompanying documentation indicates that it should not be treated as domestic waste but must be taken to an appropriate collection center for the recycling of electrical and electronic equipment.

### **ENERGY SAVING TIPS**

Install the appliance in a dry, well ventilated room far away from any heat source (eg. radiator, cooker, etc.) and in a place not exposed directly to the sun. If required, use an insulating plate.

To guarantee adequate ventilation follow installation instructions. Insufficient ventilation at the back of the product increases energy consumption and decreases cooling efficiency.

Frequent door opening might cause an increase in Energy Consumption. The internal temperature of the appliance and the Energy Consumption may be affected also by the ambient temperature, as well as location of the appliance. Temperature setting should take into consideration these factors.

Reduce door opening to a minimum.

When thawing frozen food, place in the refrigerator. The low temperature of the frozen products cools the food in the refrigerator. Allow warm food and drinks to cool down before placing in the appliance.

Positioning of the shelves in the refrigerator has no impact on the efficient usage of energy. Food should be placed on the shelves in such way to ensure proper air circulation (food should not touch each other and distance between food and rear wall should be kept).

You can increase storage capacity of frozen food by removing baskets and, if present, Stop Frost shelf.

Do not worry about noises coming from the compressor which are described as normal noises in this product's Trouble Shooting.



---

## Proper Disposal of Your Old Refrigerator

### **⚠ WARNING**

#### **Suffocation Hazard**

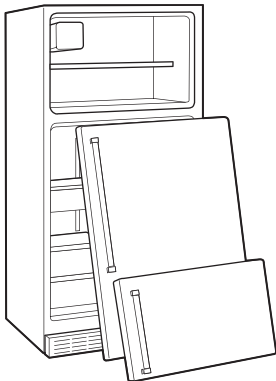
**Remove doors from your old refrigerator.**

**Failure to do so can result in death or brain damage.**

**IMPORTANT:** Child entrapment and suffocation are not problems of the past. Scrapped or abandoned refrigerators are still dangerous—even if they will sit for “just a few days.” If you are getting rid of your old refrigerator, please follow these instructions to help avoid accidents.

#### **Before You Throw Away Your Old Refrigerator or Freezer:**

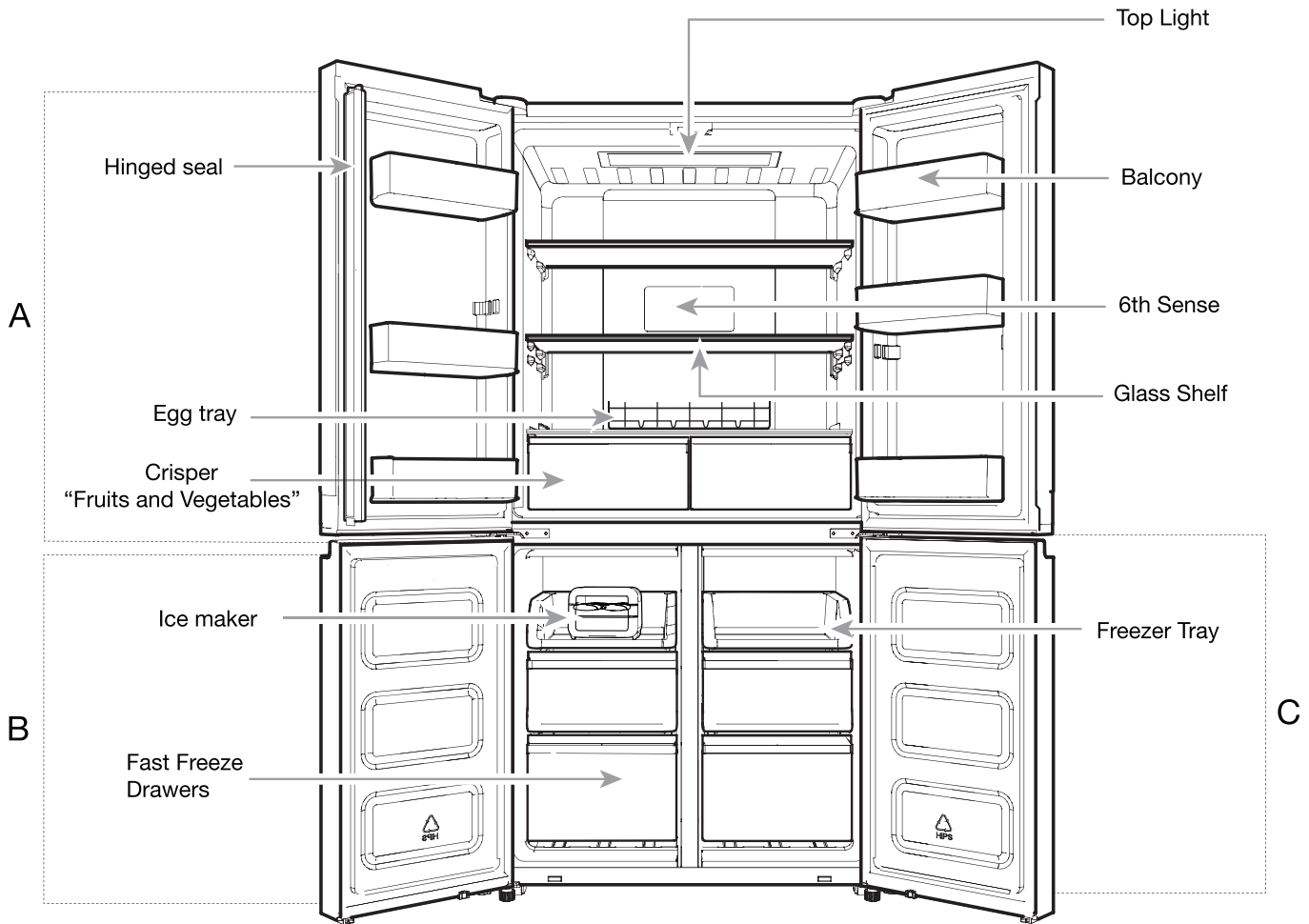
- Take off the doors.
- Leave the shelves in place so that children cannot easily climb inside.



#### **Important information to know about disposal of refrigerants:**

Dispose of refrigerator in accordance with Federal and Local regulations. Refrigerants must be evacuated by a licensed, refrigerant technician in accordance with established procedures.

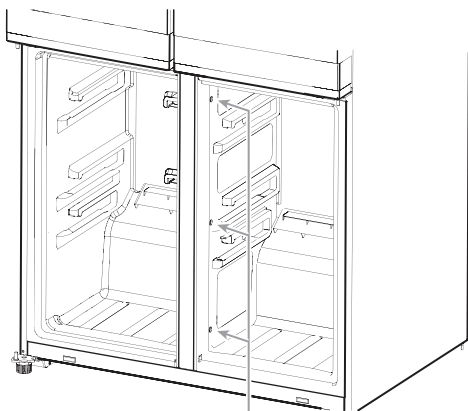
# PARTS AND FEATURES



- A . Fresh Food Compartment
- B . Freezer Compartment
- C . Flexi Freeze Compartment

**NOTE FOR SERVICE:**

Center divider can be removed by taking out the 3 screws on the right side (see picture below); With the center divider removed the evaporator area can be reached for service.



Screw Location

**RATED CAPACITY :**

Fresh Food Compartment	384 L
Freezer Compartment	207 L
<b>Total</b>	<b>591 L</b>

# INSTALLATION INSTRUCTIONS

## Getting Started INSTALLATION CHECKLIST

### ✓ Electrical Power

#### **⚠ WARNING**



#### **Electrical Shock Hazard**

**Plug into a grounded (earthed) outlet.**

**Do not remove ground prong.**

**Do not use an adapter.**

**Do not use an extension cord.**

**Failure to follow these instructions can result in death, fire, or electrical shock.**

- Plug refrigerator into a earthed socket.

### ✓ Doors

- If doors need to be removed during installation, see the “Remove and Replace Refrigerator Doors” and “Remove and Replace Freezer Door Fronts” sections.
- Doors seal completely.
- Refrigerator is level. Adjust leveling feet so they are snug against the floor.
- Doors are even across the top. (Use door alignment feature if necessary).

### ✓ Final Checks

- Remove all shipping material.
- Set temperature controls to the recommended setting.
- Save instructions and other literature.
- In order to receive a more complete assistance, please register your product on:  
**Hong Kong: [www.whirlpool.com.hk](http://www.whirlpool.com.hk)**  
**Europe: [www.whirlpool.eu/register](http://www.whirlpool.eu/register)**  
**Singapore: [www.whirlpool.com.sg](http://www.whirlpool.com.sg)**

## Unpack the Refrigerator

#### **⚠ WARNING**

#### **Excessive Weight Hazard**

**Use two or more people to move and install refrigerator.**

**Failure to do so can result in back or other injury.**

### Refrigerator Delivery

A minimum door opening of 838 mm (33") is required. If door opening is 914 mm (36") or less, then removal of doors, drawer and hinges is required.

Cart the refrigerator from the side for all door openings.

#### **When Moving Your Refrigerator:**

Your refrigerator is heavy. When moving the refrigerator for cleaning or service, be sure to cover the floor with cardboard or hardboard to avoid floor damage. Always pull the refrigerator straight out when moving it. Do not wiggle or “walk” the refrigerator when trying to move it, as floor damage could occur.

### Remove the Packaging

- Remove tape and glue residues from surfaces before turning on the refrigerator. Rub a small amount of liquid dish detergent over the adhesive with your fingers. Wipe with warm water and dry.
- Do not use sharp instruments, rubbing alcohol, flammable fluids, or abrasive cleaners to remove tape or glue. These products can damage the surface of your refrigerator.
- Dispose of/recycle all packaging materials.

### Clean Before Using

After you remove all of the packaging materials, clean inside of your refrigerator before using it. See cleaning instructions in the “Refrigerator Care” section.

#### **Important information to know about glass shelves and covers:**

Do not clean glass shelves or covers with warm water when they are cold. Shelves and covers may break if exposed to sudden temperature changes or impact, such as bumping. Tempered glass is designed to shatter into many small, pebble-size pieces. This is normal. Glass shelves and covers are heavy. Use both hands when removing them to avoid dropping.



## Location Requirements

### **⚠ WARNING**



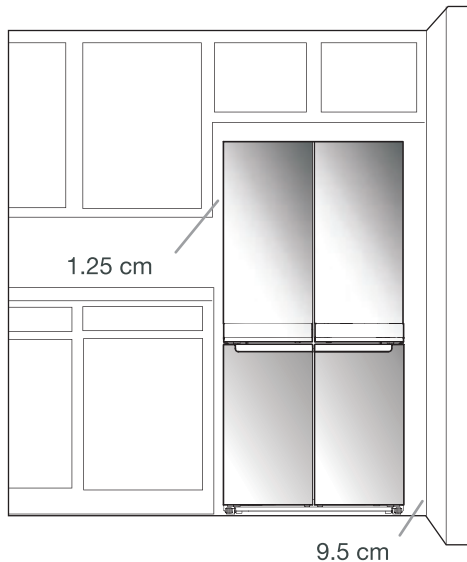
#### Explosion Hazard

Keep flammable materials and vapors, such as gasoline, away from refrigerator.

Failure to do so can result in death, explosion, or fire.

To ensure proper ventilation for your refrigerator, allow for a 1.25 cm space on each side and at the top. Allow for a 5 cm space behind the refrigerator. When installing your refrigerator next to a fixed wall, leave a 9.5 cm minimum space between the refrigerator and wall to swing open.

**NOTE:** This refrigerator is intended for use in a location where the temperature ranges from a minimum of 10°C to a maximum of 43°C. The preferred room temperature range for optimum performance, which reduces electricity usage and provides superior cooling, is between 15°C and 32°C. It is recommended that you do not install the refrigerator near a heat source, such as an oven or radiator.



## Electrical Requirements

### **⚠ WARNING**



#### Electrical Shock Hazard

Plug into a grounded (earthed) outlet.

Do not remove ground prong.

Do not use an adapter.

Do not use an extension cord.

Failure to follow these instructions can result in death, fire, or electrical shock.

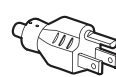
**IMPORTANT:** Installation and electrical connection must be carried out by a qualified technician according to the manufacturer's instructions and in compliance with the local safety regulations.

- The refrigerator is designed to operate on a separate 220-240 V, 10 A, 50-60 Hz circuit.
- Make sure the voltage specified on the rating plate corresponds to that of your home.
- It must be possible to disconnect the appliance from the power supply by unplugging it or by means of a main two pole switch installed upstream of the socket.
- If the supply cord is damaged, it must be replaced by the manufacturer, its service agent or similarly qualified persons in order to avoid a hazard.

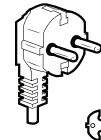
Before you move your refrigerator into its final location, it is important to make sure you have the proper electrical connection:

#### Recommended Earthing Method

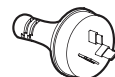
220-240 V 50 Hz, 220 V 60 Hz, or 230/240 V 50 Hz AC only 10 A fused and earthed electrical supply is required.



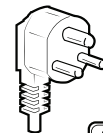
Type B



Type E and F



Type I



Type M



Type G

---

## Electrical Requirements (Great Britain, Ireland, Singapore and Hong Kong only)

---

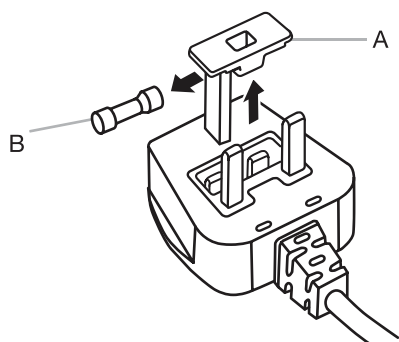
**IMPORTANT:** This refrigerator must be earthed.

### Fuse Replacement

If the main lead of this refrigerator is fitted with a BS1363A, 13 A fused plug, to replace a fuse in this type plug use an A.S.T.A. approved fuse to BS 1362 type and proceed as follows:

1. Remove the fuse cover (A) and fuse (B).
2. Fit replacement 13 A fuse into the fuse cover.
3. Reinsert both the fuse and its cover into the plug.

**IMPORTANT:** The fuse cover must be refitted when changing a fuse. If fuse cover is lost, the plug must not be used until a correct replacement cover is fitted. A correct replacement is identified by the colour insert or colour "word" embossed on the base of the plug. Replacement fuse covers are available at your local electrical shop.



A. Fuse cover  
B. Fuse

### For the Republic of Ireland:

The information given in respect of Great Britain will frequently apply, but a third type of plug and socket is also used, the 2-pin, side earth type.

### Socket/Plug:

If the fitted plug is not suitable for your socket, please contact After-sales Service for further instruction. Please do not attempt to change the plug yourself. This procedure needs to be carried out by a qualified technician in compliance with the manufacturer's instructions and current standard safety regulations.

---

## Temperature

---

This refrigerator is designed for operation in places where the temperature comes within the following ranges, according to climatic class shown on the rating plate. The refrigerator may not work properly if it is left for a long time at a temperature outside the specified range.

**NOTE:** It is recommended that you do not install the refrigerator near a heat source, such as an oven or radiator.

Climatic Class	Amb. T. (°C)	Amb. T. (°F)
SN	From 10 to 32	From 50 to 90
N	From 16 to 32	From 61 to 90
ST	From 16 to 38	From 61 to 100
T	From 16 to 43	From 61 to 110

## Remove and Replace Refrigerator Doors

**NOTE:** Measure the width of your door opening to see whether or not you need to remove refrigerator doors to move refrigerator into your home. If door removal is necessary, see the following instructions.

**IMPORTANT:** If refrigerator was previously installed and you are moving it out of the home, turn refrigerator control off before you begin removing the doors. Unplug refrigerator or disconnect power. Remove food and adjustable door or utility bins from doors.

Gather required tools and read all instructions before removing doors.

**TOOLS NEEDED:** 6 mm socket wrench, 5 mm socket wrench and #2 Phillips screwdriver.

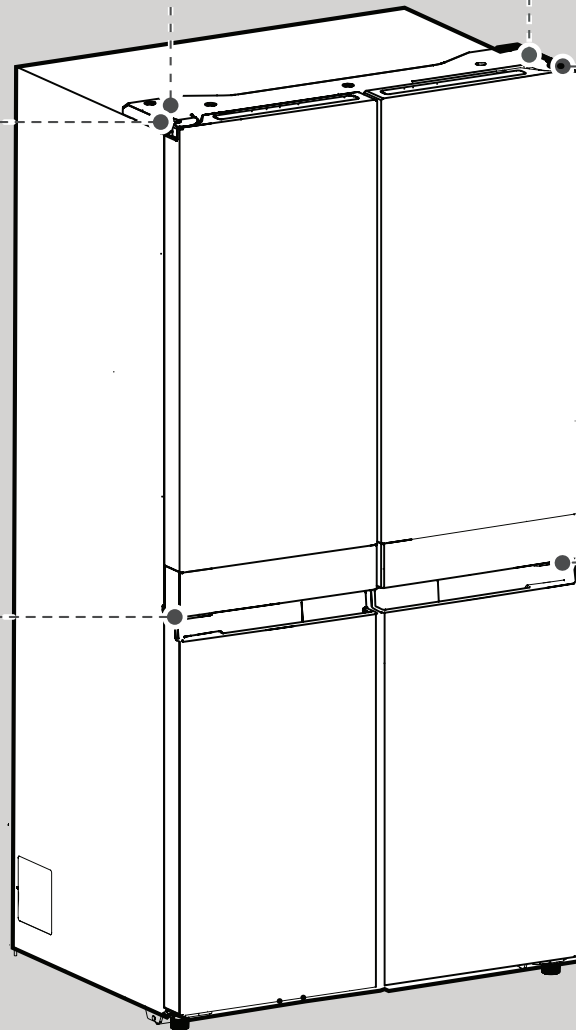
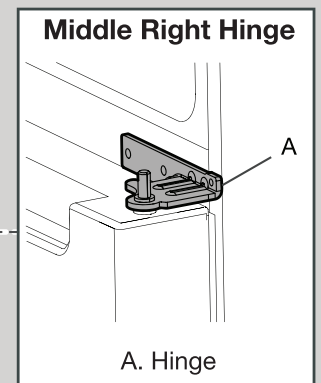
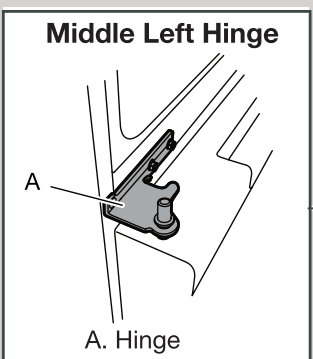
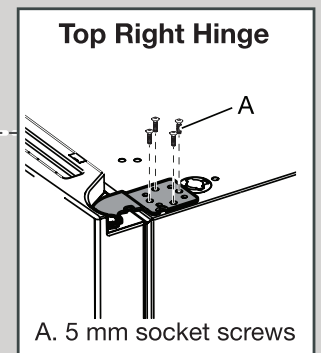
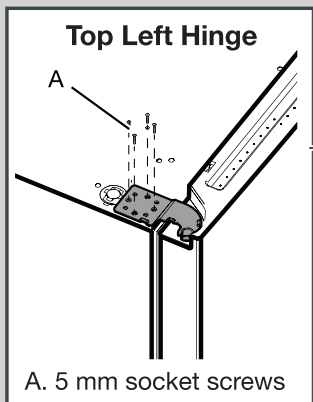
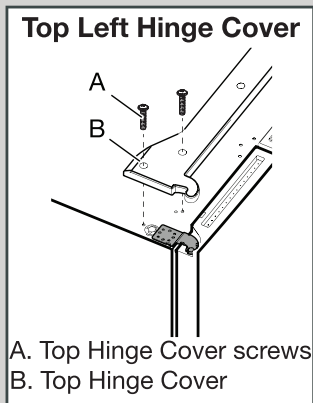


### ⚠ WARNING

#### Electrical Shock Hazard

Disconnect power before removing doors.

Failure to do so can result in death or electrical shock.



## ⚠ WARNING

### Excessive Weight Hazard

Use two or more people to lift the refrigerator door.  
Failure to do so can result in back or other injury.

## Remove Refrigerator Doors

## ⚠ WARNING



### Electrical Shock Hazard

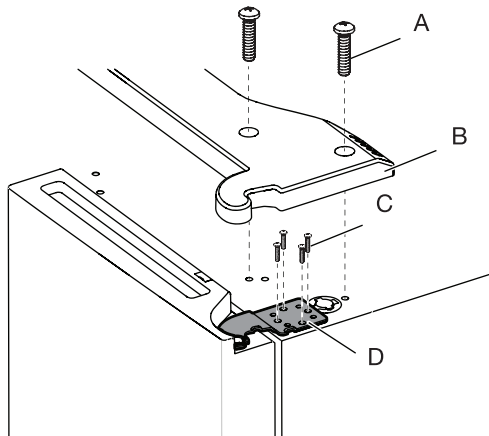
Disconnect power before removing doors.  
Failure to do so can result in death or electrical shock.

## Remove Right-Hand Door

1. Unplug refrigerator or disconnect power.
2. Keep refrigerator doors closed until you are ready to lift them free from the cabinet.

**NOTE:** Provide additional support for refrigerator door while the hinges are being removed. Do not depend on the door gasket magnets to hold the door in place while you are working.

3. Using a Phillips screwdriver, remove cover from top hinge.
4. Using 5 mm socket wrench, remove four screws from top hinge and set aside.



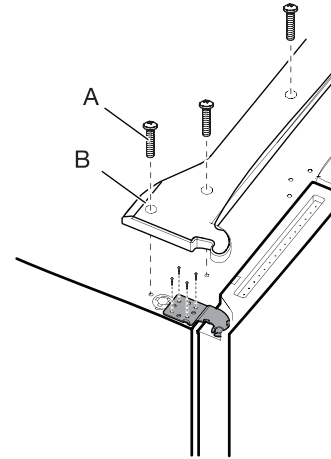
- A. Top hinge cover screw  
B. Top hinge cover  
C. 5 mm socket screws  
D. Top hinge

5. Lift refrigerator door from the middle hinge pin. The top hinge will come away with the door.

## Remove Left-Hand Door

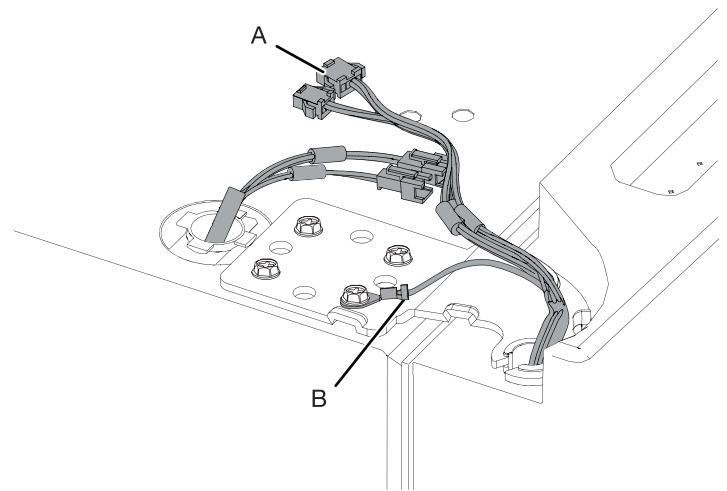
**IMPORTANT:** The wiring for UI run through left-hand door hinge, so they must be disconnected before removing the door.

1. Using a Phillips screwdriver, remove cover from top hinge.



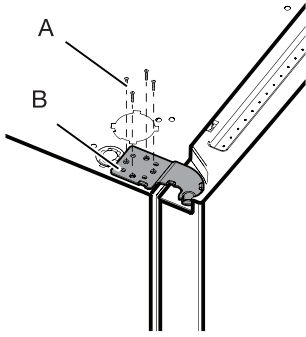
- A. Top hinge cover screw  
B. Top hinge cover

2. Disconnect two wiring plugs located on top of the door hinge.
  - Grasp each side of wiring plugs. With your left thumb, press down to release the catch and pull the sections of the plugs apart.



- A. Wiring Plug  
B. Ground (earth) connector

- Using 5 mm socket wrench, remove four internal screws from top hinge and set aside.



A. 5 mm socket screws  
B. Top Hinge

**NOTE:** Provide additional support for refrigerator door while hinges are being removed. Do not depend on the door gasket magnets to hold the door in place while you are working.

- Lift refrigerator door from bottom hinge pin. The top hinge will come away with door.

**NOTE:** It may not be necessary to remove bottom hinges and brake feet assemblies to move the refrigerator through a doorway.

- Only if necessary, use 6 mm socket wrench and #2 Phillips screwdriver to remove middle hinge.

#### Replace Right-Hand Refrigerator Door

- Set right-hand door onto middle hinge pin.
- Insert top hinge pin into open hole in top of refrigerator door.
- Using four 5 mm socket screws, fasten hinge to cabinet. Do not tighten screws completely.

#### Replace Left-Hand Refrigerator Door

- Set left-hand door onto middle hinge pin.
- Using four 5 mm socket screws, fasten hinge to cabinet. Do not tighten screws completely.
- Reconnect electrical wiring.
  - Push together two sections of wiring plug.
  - Reconnect earth wire to hinge screw.

#### Final Steps

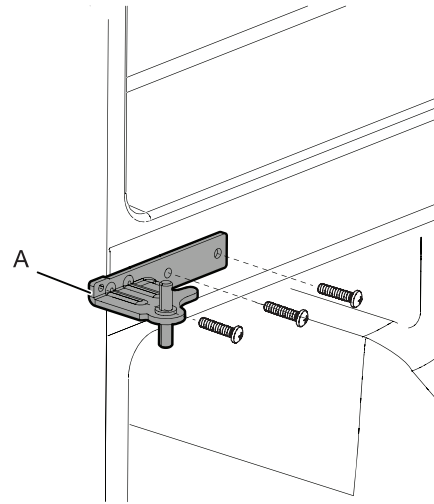
- Completely tighten eight 5 mm socket screws.
- Replace top hinge covers.

## Remove and Replace Freezer/Flexi Freeze Door

- Keep freezer doors closed until you are ready to lift them free from cabinet.

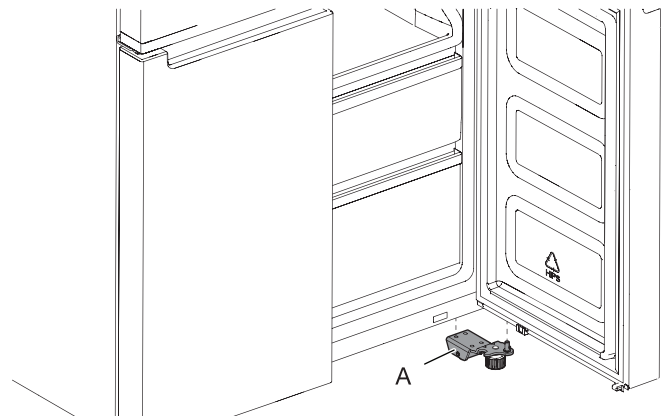
**NOTE:** Provide additional support for freezer door while hinges are being removed. Do not depend on door gasket magnets to hold door in place while you are working.

- Using a #2 Phillips screwdriver and 6 mm socket wrench to remove middle hinge from cabinet.



A. Middle hinge

- Lift freezer door from the bottom hinge pin.



A. Bottom hinge

## Final Steps

### **⚠ WARNING**



#### **Electrical Shock Hazard**

**Plug into a grounded (earthed) outlet.**

**Do not remove ground prong.**

**Do not use an adapter.**

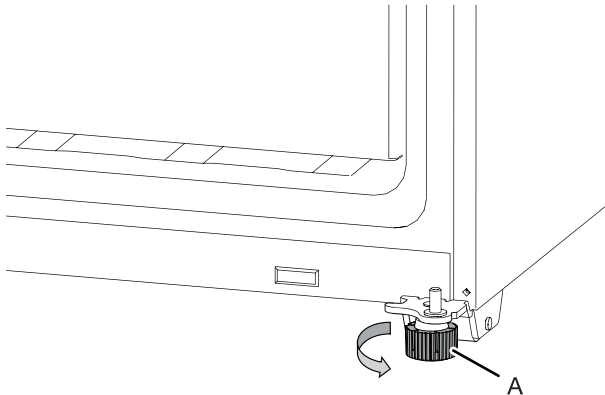
**Do not use an extension cord.**

**Failure to follow these instructions can result in death, fire, or electrical shock.**

1. Plug into an grounded (earthed) socket.
2. Return all removable parts and food to the drawers.

## Refrigerator Levelling

1. Move refrigerator to its final location.
2. Using hand, rotate the brake feet. Turn them counterclockwise until the rollers are off the floor and both brake feet are snug against the floor. This keeps refrigerator from rolling forward when opening the doors.



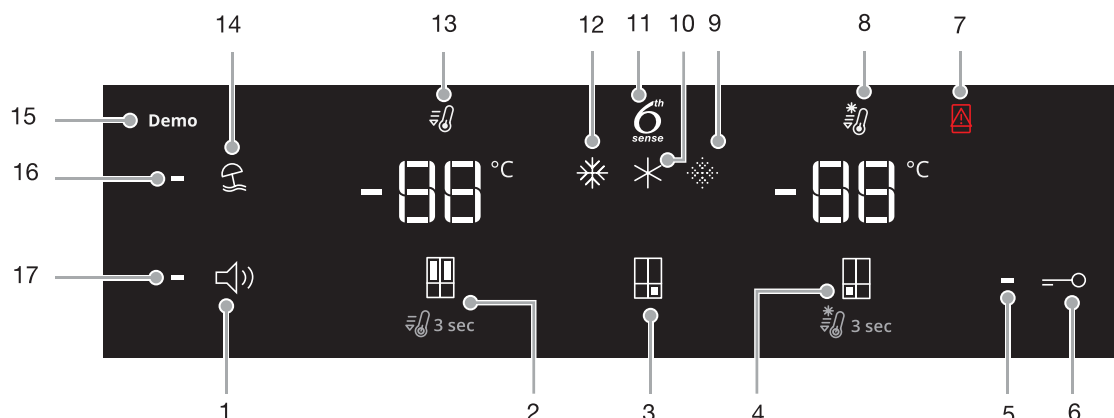
A. Brake feet

**IMPORTANT:** If you need to make further adjustments involving brake feet, you must turn both brake feet same amount to keep the refrigerator level.

3. Use a level to make sure refrigerator is level from side to side and front to back.

## Using the Controls

The touch-activated controls are located on the left hand refrigerator door. The control panel includes information about various buttons and indicators. Refrigerator and freezer temperature indicator shows last temperature set point.



1. Sound ON/OFF Button
2. Refrigerator Temperature Button (hold 3 sec for Fast Cool)
3. Flexi Freeze Preset Temperature Button
4. Freezer Temp Button (hold 3 sec for Fast Freeze)
5. Key Lock Indicator
6. Key Lock Button
7. Door Open Indicator
8. Fast Freeze Indicator
9. Soft Freeze Indicator
10. Mild Freeze Indicator
11. 6th Sense Indicator
12. Traditional Freeze Indicator
13. Fast Cool Indicator
14. Holiday Mode Button
15. Demo Mode Indicator
16. Holiday Mode Indicator
17. Sound Indicator

The Control Panel will automatically turn off after one minute of inactivity. To turn on the control panel, press any key.

### - 88 Viewing and Adjusting Temperature Set Points

#### Adjusting Fresh Food and Freezer Compartment Temperature:

For your convenience, your refrigerator and freezer controls are preset at the factory.

When you first install your refrigerator, make sure that the controls are still set to the recommended set points. The factory recommended set points are 3°C for the refrigerator and -18°C for the freezer.

Pressing Refrigerator or Freezer Temperature button will toggle through temperature set points in Celsius (°C).

#### IMPORTANT:

- Wait 24 hours before you put food into refrigerator. If you add food before refrigerator has cooled completely, your food may spoil.  
**NOTE:** Adjusting the set points to a colder-than recommended setting will not cool compartments any faster.
- If the temperature is too warm or too cold in the refrigerator or freezer, first check the air vents to be sure they are not blocked before adjusting the controls.
- The recommended settings should be correct for normal household use. The controls are set correctly when milk or juice is as cold as you like and when ice cream is firm.  
**NOTE:** Areas such as a garage, basement or porch may have higher humidity or extreme temperatures. You may need to adjust the temperature away from the recommended settings to accommodate for these conditions.
- Wait at least 24 hours between adjustments. Recheck the temperatures before other adjustments are made.

### 6<sup>th</sup> 6<sup>th</sup> Sense Fresh Lock and Freeze Control


The 6<sup>th</sup> SENSE Fresh Lock sensor ensures precise and consistent temperature control to preserve fresh food for longer, in the most natural way. Once a temperature variation is detected, the sensor activates a compressor that quickly restores the original temperature.

The 6<sup>th</sup> SENSE Freeze sensor minimizes temperature fluctuations in freezer thanks to an innovative temperature management system. Freezer burns are reduced to preserving quality and color of food.

#### \* \* \* Flexi Freeze Setting

Flexi Freeze function allows you to toggle preset temperature for Flexi freeze compartment.

Symbol	Function	Temperature
✱	Traditional freezer	-18°C
*	Mild freezer	-12°C
✱	Soft freezer	-7°C

\* To activate/deactivate Coolest setting (-20°C), press Flexi Freeze Preset Temperature Button  for 3 seconds. When the Coolest setting is activated, all three icons will be lit.

#### Adjusting Multi Temperature Setting

- Traditional freezer (-18°C): Food already frozen and fresh food (max 12 months)
- Mild freezer (-12°C): Food already frozen (max 1 month)
- Soft freezer (-7°C): Food already frozen (max 1 week)



- When Flexible Freezer set to -18°C or -20°C, both Flexible Freezer temperature and Freezer temperature would be cooled down to the colder setting whichever Freezer or Flexible Freezer has.
- Flexible Freezer compartment temperature might not be able to reach -7°C when the ambient temperature is around 10°C or colder.

**When adjusting temperature set points, use the following chart as a guide:**

CONDITION	TEMPERATURE ADJUSTMENT
Refrigerator too cold	Refrigerator setting 1°C higher
Refrigerator too warm	Refrigerator setting 1°C lower
Freezer too cold	Freezer setting 1°C higher
Freezer too warm/ too little ice	Freezer setting 1°C lower

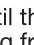
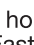
### **Fast Cool**

The Fast Cool feature assists with periods of high refrigerator use, full grocery loads, or temporarily warm room temperatures.

- To turn on the Fast Cool feature, press and hold the Refrigerator Temperature button  for 3 seconds. When feature is activated, the Fast Cool icon will be illuminated. The Fast Cool feature will remain on for 2 hours unless manually turned off.
- To manually turn off the Fast Cool feature, press and hold the Refrigerator Temperature button  for 3 seconds. The Fast Cool icon will turn off when feature is not activated.
- Adjusting refrigerator temperature will automatically turn off the Fast Cool feature.

### **Fast Freeze**

The amount of fresh food (in kg) that can be frozen in 24 hours is indicated on the appliance rating plate.

- Press Freezer Temperature button  for 3 seconds (until the Fast Freeze Indicator lights up), 24 hours before placing fresh food in the freezer. After placing fresh food in the freezer, 24 hours on Fast Freeze function is generally sufficient; After 50 hrs the fast freeze function automatically deactivates.
- To manually turn off the Fast Freeze feature, press and hold the Freezer Temperature button  for 3 seconds. The Fast Freeze icon will turn off.
- Adjusting the freezer temperature will automatically turn off the Fast Freeze feature.

### **Holiday Mode**

This mode is designed to avoid your appliance from wasting energy during times when it's not in regular use (when you are in holiday for example).

By selecting this function the temperature of fresh food compartment will automatically be set to 12°C.

- To use the Holiday mode, press mode button until Holiday mode indicator is lit on the display.
- To exit the Holiday mode, press the mode button until no mode icon is lit on the display.
- Adjusting the refrigerator temperature will automatically turn off the Holiday Mode feature.

**IMPORTANT: If this mode is selected then all food and drinks must be removed from fresh food compartment.**

### **Sound ON-OFF**

Press button to activate/deactivate Sound Feedback.

### **Key Lock**

- Press and hold the Lock button for 3 seconds to activate lock feature.
- To deactivate lock, press and hold the Lock button for 3 seconds.

The lock feature will ignore all interaction with control panel until the user unlocks the control panel. This feature is meant to avoid unintentional changing of settings.

### **Demo Mode**


This mode is used when refrigerator is on display in a retail shop or if you want to turn the cooling off and deactivate all other functions (except interior lighting).

Demo mode can be used when going on extended holiday. See the "Holiday and Moving Care" section for proper steps on leaving your refrigerator in this mode for long periods of time.

- If you turn on Demo mode, the "Demo" icon will light up on the display.
- Enter or exit Demo mode by pressing and holding the Sound On or Off button and the Lock button simultaneously for 3 seconds.

### **Additional features**

#### **Door Open Alarm**

- The Door Open Alarm feature sounds an alarm and blinks the "Door Open" icon  when any of the four doors is open for 2 minutes or more.
- The alarm will repeat every 5 minutes. Close all doors to turn it off.

**NOTE:** To mute audible alarm while keeping the doors open, such as while cleaning inside of refrigerator, touch any button on control panel. The alarm sound will be temporarily turned off, but the Door Open icon will still be displayed on the control panel.

### **Lighting the Refrigerator**

The refrigerator has an interior light that comes on any time door is opened.

**NOTE:** The light is LED which does not need to be replaced. If the LED does not illuminate when the door is opened, call service to replace light.



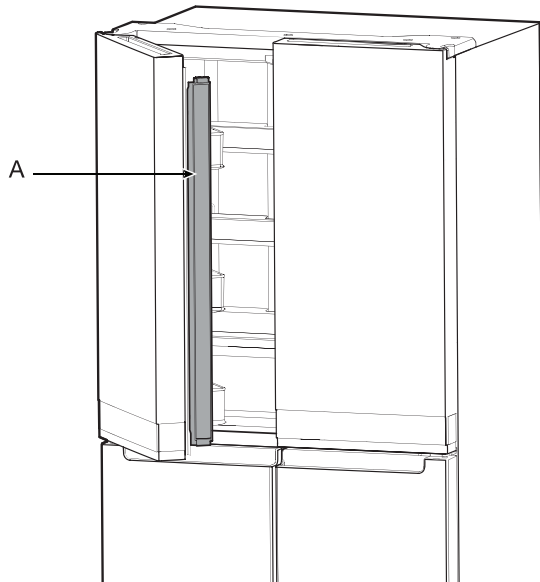
# REFRIGERATOR USE

## Opening and Closing Doors

There are two fresh food compartment doors. The doors can be opened and closed either separately or together. There is a vertically hinged seal on left refrigerator door.

- When left-side door is opened, hinged seal automatically folds inward so that it is out of the way.
- When both doors are closed, the hinged seal automatically forms a seal between two doors.

**NOTE:** When closing the door, the hinged seal should be in correct position (be bent inside). Otherwise it will hit the right door or the fixing shaft.

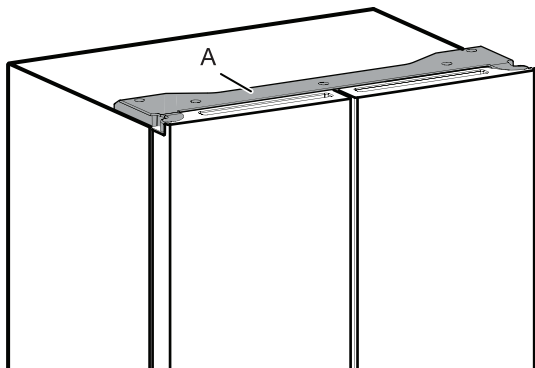


A. Hinged seal

The fresh food compartment door switch is located in top left and right hinge cover.

- For Freezer and Multi Temperature Zone, door switch is located in the bottom mullion.
- The door switch uses magnet to sense door opening/closing.
- Ensure there are no magnet or electronic devices (Speaker, Coolvox® etc.) within 7.62 cm of the hinge cap.

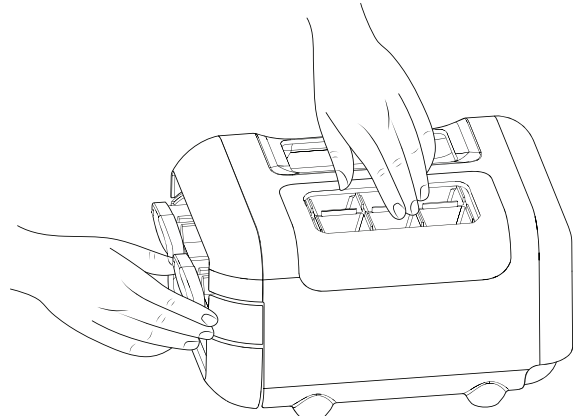
**NOTE:** The light will not turn on if door opening is not detected.



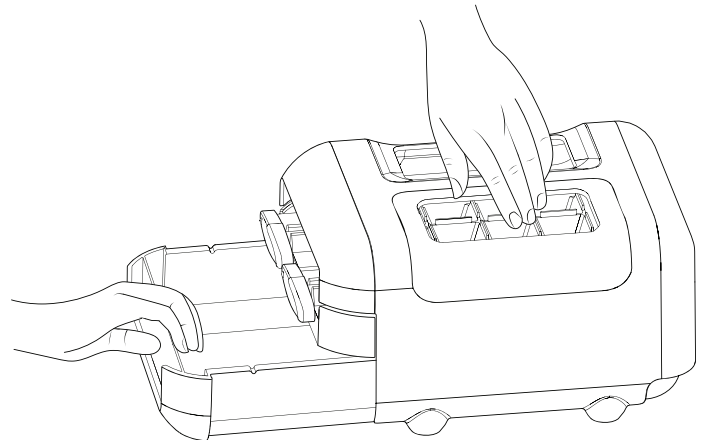
A. Hinge cover

## Ice Maker

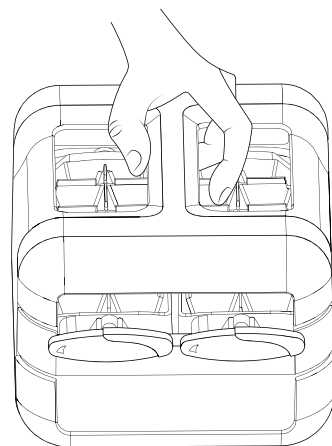
- To make ice, fill ice tray with purified water and place Manual Ice maker into Freezer top shelf. Allow time till ice gets formed and once ice is ready, turn the knobs in clockwise direction to eject ice cubes into the ice container.



- Lift ice container slightly and pullout ice container to get access to ice cubes.



Manual ice maker assembly can be taken out of the freezer when ice is not required to make more compartment in freezer.



## Food Storage

### Egg Storage

It is recommended to store eggs at a consistent temperature to keep its freshness, so best is to keep them in the fridge on the middle shelf.

# SHELVES, BINS AND DRAWERS

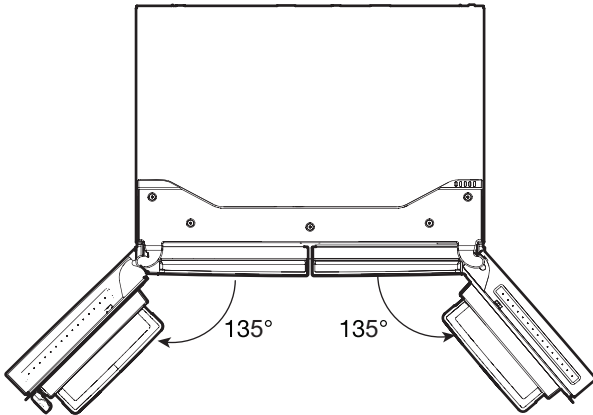
## Important information to know about glass shelves and covers:

Do not clean glass shelves or covers with warm water when they are cold. Shelves and covers may break if exposed to sudden temperature changes or impact, such as bumping. Tempered glass is designed to shatter into many small, pebble-size pieces. This is normal. Glass shelves and covers are heavy. Use both hands when removing them to avoid dropping.

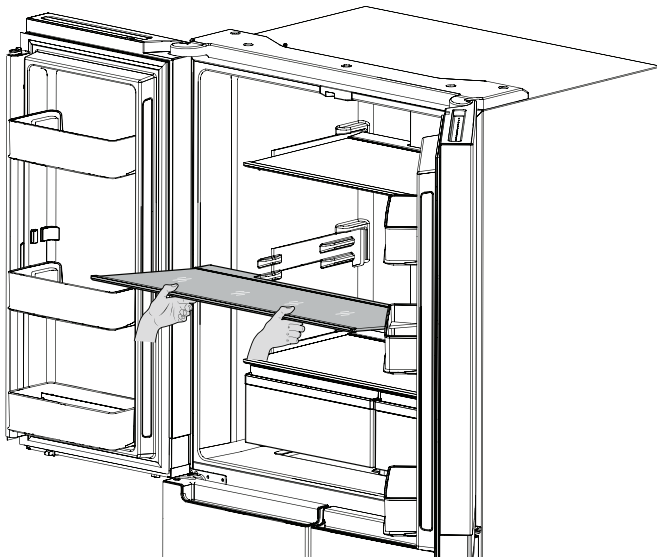
## Shelf Height Adjustment

Shelf height can be adjusted by changing its location from bottom support to upper support and vice versa.

- Open right side door to its full opening.
- Open left side door to its full opening.



- Take shelf out of refrigerator and place it to desired mounting position.



- Ensure shelf is properly seated on the shelf mounts.

## Shelves and Shelf Frames

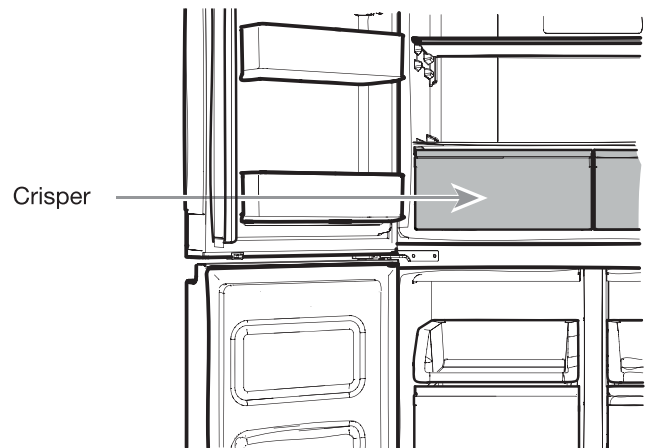
The shelves in your refrigerator are adjustable to meet your individual storage needs.

Storing similar food items together in your refrigerator and adjusting the shelves to fit different heights of items will make finding the exact item you want easier. It will also reduce the amount of time the refrigerator door is open and save energy.

### To remove and replace shelves:

1. Open right side door to its full opening and left side door to its full opening.
2. Remove middle shelf or top shelf by lifting it up and out of shelf supports. Then pull the shelf forward and tilt down to a vertical position. Turn shelf at an angle and pull out of the refrigerator.
3. Remove the bottom shelf by lifting it up and out of the shelf supports. Then pull the shelf forward and tilt up to a vertical position. Turn the shelf at an angle and pull out of refrigerator.
4. Replace middle and top shelves by putting shelf in the refrigerator at an angle with shelf front down. Lift front of the shelf up and slide in until the rear of shelf drops into shelf supports. Lower the front of shelf and make sure that the shelf is in position.
5. Replace bottom shelf by putting shelf in refrigerator at an angle with shelf up. Lift front of shelf down and slide in until rear shelf drops into the shelf supports. Lower front of the shelf and make sure that shelf is in position.

## Crispers

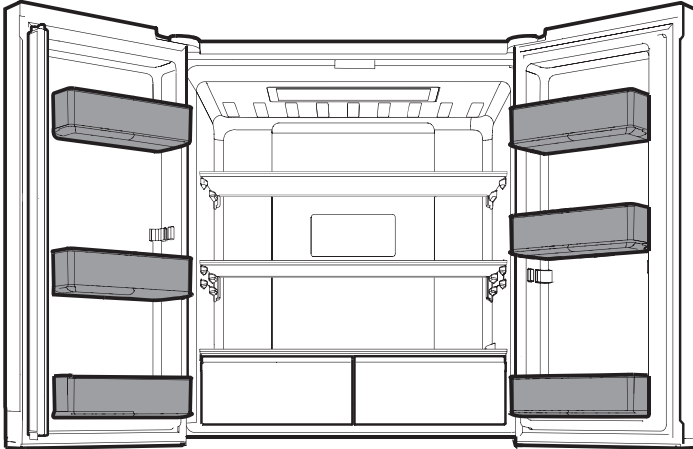


### To remove and replace the Crispers:

1. Grasp handle of the Crisper and slide Crisper straight out to the stop. Lift the Crisper off the bottom guide.
2. Replace/putting back the Crisper by placing it on bottom Crisper guide and pushing it past the Crisper stop into position.

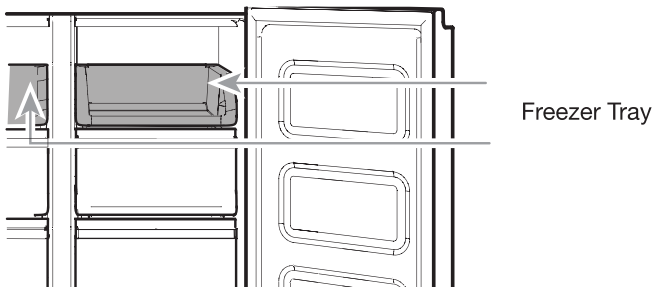
## Refrigerator Balconies

The balcony on your refrigerator door are adjustable to meet your individual storage needs.



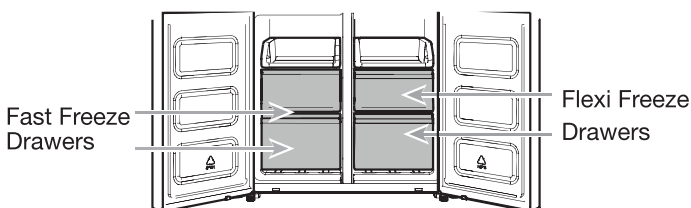
## Freezer Storage Compartments

### Freezer Tray



Freezer tray is useful to easily access frequently used products, freeze or simply store leftovers or small items.

### Freezer Drawers



### Fast Freeze compartment

- Fast Freezer drawers allows you to conveniently store big volume items.
- Fast Freeze option allows you to store all your frozen food safely and transparently.

**NOTE:** Freezer temperature might be cooled down to be same as Flexible Freezer Compartment temperature, when Freezer set to warmer than Flexible Freezer compartment.

### Flexi Freeze Compartment

Flexi Freeze Compartment allows you to select one of three freezer temperature levels:  $-7^{\circ}\text{C}$ ,  $-12^{\circ}\text{C}$ ,  $-18^{\circ}\text{C}$  and  $-20^{\circ}\text{C}$  to provide the best storing conditions for different types of food.

For maximum freezer capacity, you may remove the freezer drawer to expose the freezer shelf.

### To remove the upper drawer:

1. Grasp handle of the drawer and slide drawer straight out to the stop. Lift drawer off the bottom guide.
2. Replace/putting back drawer by placing it on bottom drawer guide and pushing it past drawer stop into position.

### Freezer Shelf

To maximize freezer capacity, you may remove mid drawer to expose freezer shelf beneath. You can then store upper drawer and load food directly on top of the shelf.

## Audio Reference

### Tone Assignment

Tone Name	Usage Examples
Power On	Cooling system is turned on every time the product is powered on.
Key Press	User presses a valid button.
Invalid (Error)	User presses two or more valid buttons at the same time. Count-down interruption for press-and-hold buttons.
Engage	Acknowledgement of entry into any mode.
Disengage	Acknowledgement of exit from any mode.
Alert	Door Ajar alert.

This table is for quick reference only. See corresponding sections for details. In case of inconsistency, section details will prevail.

## Accessories

To order accessories, contact the dealer from whom you purchased your refrigerator.

## Assistance or Service

Before calling for assistance or service, please check the "Troubleshooting" section. It may save you the cost of a service call. If you still need help, follow the instructions below.

### If you need replacement parts

To locate factory-specified replacement parts in your area, contact the dealer from whom you purchased your refrigerator.

### Warranty

Contact the dealer from whom you purchased refrigerator for warranty information.

**Keep this book and your sales slip together for future reference. You must provide proof of purchase or installation date for in-warranty service.**

Write down the following information about your appliance to help you obtain assistance or service if you ever need it. You will need to know your complete model number and serial number. You can find this information on the model and serial number label, located on the inside wall of the fresh food compartment.

Dealer name \_\_\_\_\_

Serial number \_\_\_\_\_

Address \_\_\_\_\_

Phone number \_\_\_\_\_

Model number \_\_\_\_\_

Purchase date \_\_\_\_\_

# REFRIGERATOR CARE

## Cleaning

### **WARNING**



#### Explosion Hazard

Use nonflammable cleaner.

Failure to do so can result in death, explosion, or fire.

All of the Refrigerator, Freezer and Flexi freeze sections defrost automatically. However, clean all the sections about once a month to avoid build-up of odours. Wipe up spills immediately.

### Exterior Cleaning

Please see the exterior cleaning information specific to your model.

#### Style 1 – Smooth Door

**IMPORTANT:** Damage to smooth finish due to improper use of cleaning products or using non-recommended cleaning products is not covered under the warranty. Sharp or blunt instruments will mar the finish.

DO USE	DO NOT USE
✓ Soft, clean cloth	<ul style="list-style-type: none"> <li>✗ Abrasive cloths</li> <li>✗ Paper towels or newsprint</li> <li>✗ Steel-wool pads</li> </ul>
✓ Warm, soapy water with a mild detergent	<ul style="list-style-type: none"> <li>✗ Abrasive powders or liquids</li> <li>✗ Window sprays</li> <li>✗ Ammonia</li> <li>✗ Acidic or vinegar-based Cleaners</li> <li>✗ Oven cleaners</li> <li>✗ Flammable fluids</li> </ul>

**NOTE:** Paper towels scratch and may dull clear coat of painted door. To avoid possible damage, use only soft, clean clothes to polish and wipe the doors.

#### Style 2 – Stainless Steel

##### IMPORTANT:

- Use recommended stainless steel cleaners and cloths only. Damage to stainless steel finish due to improper use of cleaning products or using non-recommended cleaning products is not covered under the warranty.
- Avoid exposing stainless steel appliances to caustic or corrosive elements such as high-salt, high-moisture, or high-humidity environments. Damage due to exposure to these elements is not covered under the warranty.

DO USE	DO NOT USE
✓ Soft, clean cloth	<ul style="list-style-type: none"> <li>✗ Abrasive cloths</li> <li>✗ Paper towels or newsprint</li> <li>✗ Steel-wool pads</li> </ul>
✓ Warm, soapy water with a mild detergent	<ul style="list-style-type: none"> <li>✗ Abrasive powders or liquids</li> <li>✗ Ammonia</li> <li>✗ Citrus-based cleaners</li> <li>✗ Acidic or vinegar-based cleaners</li> <li>✗ Oven cleaners</li> </ul>
✓ For heavy soil, use only a stainless steel cleaner designed for appliances. To order the cleaner, contact the dealer from whom you purchased your refrigerator.	✗ Stainless steel cleaner is for stainless steel parts only. Do not allow the stainless steel cleaner and polish to come into contact with any plastic parts such as the trim pieces, dispenser covers, or door gaskets.

#### Style 3 – Fingerprint-Resistant Stainless

##### IMPORTANT:

- Avoid exposing stainless steel appliances to caustic or corrosive elements such as high-salt, high-moisture, or high-humidity environments. Damage due to exposure to these elements is not covered under the warranty.

DO USE	DO NOT USE
✓ Soft, clean cloth	<ul style="list-style-type: none"> <li>✗ Abrasive cloths</li> <li>✗ Paper towels or newsprint</li> <li>✗ Steel-wool pads</li> </ul>
✓ Warm, soapy water with a mild detergent	<ul style="list-style-type: none"> <li>✗ Abrasive powders or liquids</li> <li>✗ Window sprays</li> <li>✗ Ammonia</li> <li>✗ Acidic or vinegar-based cleaners</li> <li>✗ Oven cleaners</li> <li>✗ Flammable fluids</li> </ul>

##### NOTES:

- If unintentional contact does occur, clean plastic part with a sponge and mild detergent in warm water. Dry thoroughly with a soft cloth.
- Just because a cleaner is a liquid does not mean it is non-abrasive. Many liquid cleansers formulated to be gentle on tile and smooth surfaces still damage stainless steel.
- Citric acid permanently discolours stainless steel.
- To avoid damaging the finish of your stainless steel refrigerator:

##### Do not allow these substances to remain on the finish:

- |                  |                         |
|------------------|-------------------------|
| ✗ Mustard        | ✗ Citrus-based sauces   |
| ✗ Tomato juice   | ✗ Citrus-based products |
| ✗ Marinara sauce |                         |

---

## Interior Cleaning

---

1. Unplug refrigerator or disconnect power.
2. Hand wash, rinse, and dry removable parts and interior surfaces thoroughly. Use a clean sponge or soft cloth and a mild detergent in warm water.  
**NOTE:** Do not use abrasive or harsh cleaners such as window sprays, scouring cleansers, flammable fluids, cleaning waxes, concentrated detergents, bleaches, or cleansers containing petroleum products on plastic parts, interior and door liners, or gaskets.
3. Plug in refrigerator or reconnect power.

---

## Condenser

---

This refrigerator has skin condenser on both sides of refrigerator. It is normal to feel warm on the sides.

---

## Lights

The lights in both the fresh food and freezer compartments are LEDs which do not need to be replaced. If the lights do not illuminate when the door is opened, contact the dealer from whom you purchased your refrigerator.

---

## Holiday and Moving Care

---

### Holidays

---

#### If You Choose to Leave the Refrigerator On While You're Away:

1. Use up any perishables and freeze other items.
2. If your refrigerator has an automatic ice maker and is connected to the household water supply, turn off the water supply to the refrigerator. Property damage can occur if the water supply is not turned off.
3. If you have an automatic ice maker, turn off the ice maker.
  - Press the switch to Off (O) for the door ice maker.
4. Empty the ice bin.

#### If You Choose to Turn Off the Refrigerator Before You Leave:

**NOTE:** Put refrigerator in Demo Mode while on Holiday. See the "Using the Controls" section.

1. Remove all food from the refrigerator.
2. If your refrigerator has an automatic ice maker:
  - Turn off water supply to the ice maker at least 1 day ahead of time.
  - When last load of ice drops, press the switch to Off (O) for display to be unlit on the top inside of the refrigerator, depending on your model.
3. Empty ice bin.
4. Turn off temperature controls. See the "Using the Controls" section.
5. Clean refrigerator, wipe it and dry well.
6. Tape rubber or wood blocks to the tops of both doors to prop them open far enough for air to get in. This stops odours and mould from building up.

---

## Moving

---

When you are moving your refrigerator to a new home, follow these steps to prepare it for the move.


1. Remove all food from refrigerator and pack all frozen food in dry ice.
2. Empty ice bin.
3. Unplug refrigerator.
4. Clean, wipe and dry thoroughly.
5. Take out all removable parts, wrap them well and tape them together so they don't shift and rattle during the move.
6. Depending on the model, raise the front of the refrigerator so it rolls more easily or raise the levelling screws so they do not scrape the floor. See the "Adjust the Doors" or "Refrigerator Levelling and Door Closing" sections.
7. Tape doors closed and tape the power cable to the back of the refrigerator.

When you get to your new home, put everything back and refer to the "Installation Instructions" section for preparation instructions.

# TROUBLESHOOTING

First try the solutions suggested here to possibly avoid a service call.

**⚠ WARNING**



**Electrical Shock Hazard**

**Plug into a grounded (earthed) outlet.**

**Do not remove ground prong.**

**Do not use an adapter.**

**Do not use an extension cord.**

**Failure to follow these instructions can result in death, fire, or electrical shock.**

If you experience	Possible Causes	Solution
<b>Refrigerator Operation</b>		
The refrigerator will not operate.	Check electrical supply.	Plug the power cable into an earthed socket.
		Do not use an extension cable.
		Make sure there is power to the socket. Plug in a lamp to see if the socket is working.
		Reset a tripped circuit breaker. Replace any blown fuses. <b>NOTE:</b> If problems continue, contact an electrician.
	Check controls.	Make sure the controls are turned on. See the “Using the Controls” section.
New installation.	Refrigerator control is in Demo mode (on some models).	Allow 24 hours following installation for refrigerator to cool completely. <b>NOTE:</b> Adjusting the temperature controls to the coldest setting will not cool either compartment more quickly.
		If refrigerator is in Demo mode, cooling is turned off and “Demo” will be illuminated on the control panel. See the “Using the Controls” section for more information.
The motor seems to run too much.	High-efficiency compressor and fans.	Larger, more efficient refrigerators run longer at lower, more energy efficient speeds.
	The room or outdoor temperature is hot.	It is normal for refrigerator to work longer under these conditions. For optimum performance, place refrigerator in an indoor, temperature-controlled environment. See the “Location Requirements” section.
	A large amount of warm food has been recently added.	Warm food will cause refrigerator to run longer until the air cools to the desired temperature.
	The door(s) are opened too frequently or for too long.	Warm air entering refrigerator causes it to run more. Open the door less often.
	The refrigerator door or freezer drawer is open.	Make sure refrigerator is level. See the “Refrigerator Levelling and Door Closing” section. Keep food and containers from blocking the door.
	The refrigerator control is set too cold.	Adjust refrigerator control to a less-cold setting until the refrigerator temperature is as desired.
	The door or drawer gasket is dirty, worn, or cracked.	Clean or change the gasket. Leaks in the door seal will cause refrigerator to run longer in order to maintain desired temperatures.

# TROUBLESHOOTING

First try the solutions suggested here to possibly avoid a service call.

If you experience	Possible Causes	Solution
The lights do not work.	Your refrigerator is equipped with LED lighting which does not need to be replaced.	If there is power to the refrigerator and the lights do not illuminate when a door or drawer is opened, call for service or assistance.
	Doors have been open longer than 10 minutes.	Close the doors and drawer to reset and open to resume lighted task.
	The door switch is not sensing the door opening.	Ensure there are no magnets or electronic devices within 7.6 cm (3") of the hinge cover.
The Temperature Control UI does not turn on.	The Temperature Control UI went to sleep.	Press any button on the UI to wake up the The Temperature Control UI.
	The Temperature Control UI buttons are not working well.	Try cycling power on the refrigerator to make the buttons reset. If problem continuous, call for service or assistance.
	The Temperature Control UI is not receiving power.	Check the wiring harness at the door hinge.
Unable to adjust setting on The Temperature Control UI.	Door is open and Door ajar alarm is activated.	Close the door.
<b>Unusual Noise</b>		
The refrigerator seems noisy.	The compressor in your new refrigerator regulates temperature more efficiently while using less energy and operates quietly.	Due to this reduction in operating noise, you may notice unfamiliar noises that are normal.
Sound of the compressor running longer than expected.	High-efficiency compressor and fans.	Larger, more-efficient refrigerators run longer at lower, more energy efficient speeds.
Pulsating/Whirring	Fans/compressor adjusting to optimize performance during normal compressor operation.	This is normal.
Popping	Contraction/expansion of inside walls, especially during initial cool down.	This is normal.
Hissing/Dripping	Flow of refrigerant or flow of oil in the compressor.	This is normal.
Vibration	The refrigerator may not be steady.	Adjust the levelling screws and lower the levelling foot firmly against the floor. See the "Refrigerator Levelling and Door Closing" section.
Sizzling	Water dripping on the heater during Defrost cycle.	This is normal.
Water running/Gurgling	May be heard when ice melts during the Defrost cycle and water runs into the drain pan.	This is normal.

# TROUBLESHOOTING

First try the solutions suggested here to possibly avoid a service call.

If you experience	Possible Causes	Solution
<b>Temperature and Moisture</b>		
Temperature is too warm.	The refrigerator has just been installed.	Allow 24 hours following installation for refrigerator to cool completely.
	The controls are not set correctly for the surrounding conditions.	Adjust the controls a setting colder. Check the temperature in 24 hours. See the "Using the Controls" section.
	The door(s) are opened often or not closed completely. Allows warm air to enter refrigerator.	Minimize door openings and keep doors fully closed.
	A large load of food was recently added.	Allow several hours for refrigerator to return to normal temperature.
	Demo mode is on.	Turn off the Demo mode. See the "Using the Control" section.
	Holiday mode is on.	Turn off the Holiday mode. See the "Using the Control" section.
Temperature is too cold in the refrigerator/crisper.	The refrigerator air vent(s) are blocked.	If the air vent located in the middle rear of the fresh food compartment is blocked by items placed directly in front of it, the refrigerator will get too cold. Move items away from the air vent.
	The controls are not set correctly for the surrounding conditions.	Adjust the controls a setting warmer. Check the temperature in 24 hours. See the "Using the Controls" section.
Temperature is too cold in the temperature controlled drawer.	The control is not set correctly for the items stored in drawer.	Adjust the temperature setting. See the "Using the Controls" in the "Refrigerator Use" section.
There is interior moisture build-up. <b>NOTE:</b> Some moisture build-up is normal.	The room is humid.	A humid environment contributes to moisture build-up.
	The door(s) are opened often or not closed completely. Allows humid air to enter the refrigerator.	Minimize door openings and close doors completely.
	The door(s) are blocked open.	Move food packages away from door.
	A bin or shelf is in the way.	Push bin or shelf back into the correct position.
	Storing liquid in open containers.	This adds humidity to refrigerator interior. Keep all containers tightly covered.
There is frost/ice build-up in the freezer compartment.	The door is opened often or left open.	Minimize door openings and close drawer completely after use.
	The door has poor door seal.	Ensure door seals are making full contact with the refrigerator cabinet to allow for an adequate seal.
	Temperature controls are not set correctly.	See the "Using the Controls" section for recommended temperature settings.



# TROUBLESHOOTING

First try the solutions suggested here to possibly avoid a service call.

<b>⚠ WARNING</b>

<p><b>Explosion Hazard</b></p> <p><b>Use nonflammable cleaner.</b></p> <p><b>Failure to do so can result in death, explosion, or fire.</b></p>

If you experience	Possible Causes	Solution
<b>Doors</b>		
The doors will not close completely.	The door is blocked open.	Move food packages away from door.
	A bin or shelf is in the way.	Push bin or shelf back into the correct position.
	Recently installed	Remove all packaging materials.
The doors are difficult to open.	The door gaskets are dirty or sticky.	Clean gaskets and contact surfaces with mild soap and warm water. Rinse and dry with soft cloth.
The doors appear to be uneven.	The doors need to be aligned or the refrigerator needs to be levelled.	If you need to align door please call for service.
The refrigerator is unsteady or it rolls forward when opening and closing doors.	The refrigerator brake feet are not snug against the floor.	Turn both brake feet (one on each side) counterclockwise, the same amount, until they are snug against the floor. See the "Refrigerator Levelling and Door Closing" section.

# Whirlpool

## 四門雪櫃 使用說明

尊貴的用戶：

感謝您使用惠而浦雪櫃，我們將竭誠為您提供無憂服務，方便您的居家生活。

請仔細閱讀本說明書，並妥善保管，以備日後查閱、維修。

因公司產品不斷改進，如有更改，恕不另行通知。

### 目錄

安全注意事項 .....	27
棄置舊雪櫃 .....	30
<b>產品概述 .....</b>	<b>31</b>
<b>安裝指引 .....</b>	<b>32</b>
使用前準備 .....	32
拆除包裝 .....	32
安裝位置 .....	33
電源使用 .....	33
拆除及安裝冷藏室櫃門 .....	35
拆除及安裝急凍室/變溫室櫃門 .....	37
雪櫃水平調節 .....	38
控制面板 .....	39
照明燈 .....	40
<b>使用說明 .....</b>	<b>41</b>
開門及關門 .....	41
存放食物 .....	41
<b>層架、門架及抽屜 .....</b>	<b>42</b>
急凍室的使用 .....	43
聲響參考 .....	43
配件 .....	43
支援服務 .....	43
<b>清潔保養 .....</b>	<b>44</b>
清潔 .....	44
照明燈 .....	45
假日模式及搬運注意事項 .....	45
<b>故障排除指南 .....</b>	<b>46</b>

# 安全注意事項

您及其他人的安全是**非常重要**。

在此說明書中及雪櫃機身上，我們都有提供相關的安全指引。請細心閱讀並遵守有關指引。



注意標誌

此標誌的內容，是使用者必須引起重視的部分，否則可能會造成產品的損壞或危及使用者的人身安全。

所有安全指示的標誌，都會附上：「危險」或「警告」標誌。

此等文字意思如下：



**危險**

使用者必須**立即**遵循指示，否則會導致嚴重的傷害或死亡。



**警告**

使用者需遵循指示，否則會導致嚴重的傷害或死亡。

所有注意標籤均會提示其危險性，敬請留意以減少受傷和其潛在風險。

## 注意事項

使用雪櫃前，請細心閱讀此安全注意事項，並妥善保管以備日後查閱。此說明書及雪櫃機身已標示安全警告，以便使用者日後參考。對於因不遵守安全指引、不適當使用雪櫃或不正確控制雪櫃，製造商不承擔任何責任。

⚠ 嬰幼兒(零至三歲)應遠離此產品。小孩(三至八歲)應遠離此產品或必須在成年人監督指導或協助下使用此產品。八歲或以上的兒童、肢體傷殘人士或精神上無行為能力人士應在有成年人監督指導及協助下、給予安全指令下或知道潛在危險下使用此產品。兒童不能將此產品當成玩具使用。在成年人監督指導及協助下小孩才可進行清潔及保養雪櫃。

### 允許使用

⚠ 注意:此產品不需及不可安裝外置裝置如時間制或遙遠控制系統來進行操作。

⚠ 此產品只適用於家庭或其他類似的應用，例如：商店內、辦公室內或工作環境中的員工廚房區、農舍、酒店、汽車旅館、床邊或早餐類型的環境或其他居住類型環境的住宅等。

⚠ 此產品並非用作專業用途。切勿於戶外使用此產品。

⚠ 此產品只可在規定溫度下運作，否則無法正常運作。

氣候類型溫度(° C)

SN: 由 10 至 32° C;

N: 由 16 至 32° C

ST: 由 16 至 38° C;

T: 由 16 至 43° C

⚠ 此產品不含CFCs。製冷劑為R600a(HC)。R600a(HC)是天然氣體，對環境不會造成傷害，但卻是易燃物，因此必須確保運載製冷劑的喉管沒有受損。若喉管受損，要小心處理及排空製冷劑。

⚠ 警告：切勿損害產品的製冷劑輸送喉管。

⚠ 警告：請保持產品通風口暢通，若是嵌入式設計，請清理所有障礙物。

## 請閱讀及留意

⚠ 警告: 切勿使用任何未經製造商所認可的機械方式、電子方式或化學方式加速除霜過程。

⚠ 警告: 切勿將任何未經製造商所許可的電子產品放進產品內或在其內部使用。

⚠ 警告: 若製冰器或飲水機未能直接連接水源，必須注入可飲用的水。

⚠ 請勿儲存爆炸品，例如罐裝噴霧罐，其內部存有易燃劑。

⚠ 切勿嚥下冰袋內的東西(無毒)(如有)。切勿即時食用於急凍室內提取出來的冰塊或冰條，有可能引致凍傷。

⚠ 若產品設計上設有過濾網於出風位置，當產品運作時，過濾網必須放置適當位置。

⚠ 請勿在急凍室存放內有飲料的玻璃容器，以防止破裂。切勿將食物放置於出風位置，避免阻礙出風。存放食物後，必須檢查雪櫃內的間室是否關上，特別是急凍室的門。

⚠ 門上的墊圈若破損，必須更換。

⚠ 雪櫃的冷藏室只適用於儲存新鮮食物，而急凍室則儲存急凍食物、急凍新鮮食物及製造冰塊。

⚠ 避免存放已打開的食物及避免食物接觸冷藏室或急凍室的背牆。雪櫃設有不同的間室作儲存食物之用(如冷藏室、變溫室等)。若沒有在說明書內指明該間室有特別用途，可將其卸除，亦不會對雪櫃溫度有影響。

### 安裝

⚠ 此產品必須由兩人或以上負責安裝-受傷風險。於拆卸或進行安裝時，帶上保護手套-割傷風險。

⚠ 安裝水源(如有)、接駁電源和維修必須由合資格技師負責。除非有列明於雪櫃使用說明書內，否則請勿擅自維修或更改產品。安裝產品過程中請勿讓小孩接近。

拆除包裝後，請確保產品在運送過程中沒有任何損毀。如有，請向經銷商或客戶服務熱線查詢。安裝後，所有包裝組件(如包裝泡沫底座及固定配件用的膠帶等)應該放置在兒童不能觸及的位置，避免兒童受到傷害或導致窒息。安裝產品前，請確保電源已關上-觸電危機。安裝產品時，請確保產品不會影響電力及電纜--火災風險或觸電危機。產品完成安裝後才可開啟電源。

⚠ 請勿在容易刮花的地板上使用腳輪來移動雪櫃，有可能刮花地板(如木地板)。雪櫃需放置於平坦堅固的地面，如需墊高，亦需選擇平穩、堅硬、不可燃的墊塊，切勿將雪櫃的包裝發泡膠墊塊用來墊高雪櫃。雪櫃亦要放置在適當的位置及預留足夠空間。請確保雪櫃遠離火種及平穩地放置地面上，如有需要，可通過調整雪櫃底部兩側的調節腳，使雪櫃放置更穩固。雪櫃安放、水平調整完畢後，先不要接駁電源，讓雪櫃靜置至少兩小時，再接駁電源，以確保雪櫃內的雪種能完全有效運作。

⚠ 雪櫃為了冷卻食物在運作時會散發熱量，請在雪櫃兩側和頂部予留空間。在安裝時，產品背部及背部牆壁的距離最少為50毫米。減少空間會增加產品的能源消耗。

⚠ 警告：為避免造成危險，放置雪櫃請按照製造商的指示。禁止將雪櫃放置於接近燃氣灶，金屬氣體、水管或電線，以防止雪櫃背板因接觸而發生危險(冷卻器盤管)。

⚠ 如需更換櫃門，請與維修部之技術人員聯絡。

### 電力警告

⚠ 安裝產品前，必須確保沒有接駁任何電源，而所有電源必須按照當地國家標準的規定。

⚠ 切勿使用延長電線、多個插座或變壓器。請勿在手濕或赤腳情況下使用產品。如發現產品電源線已損毀、不能正常運作、產品已損壞，請勿使用產品。

⚠ 如果電源線損壞，為了避免危險，必須由製造商、其維修部或其合規格技術人員進行更換 - 觸電風險。

⚠ 警告：安裝產品時，請確保電線沒有損壞及摺疊。

⚠ 警告：請勿在雪櫃後部放置多個便攜式插座或便攜式電源。

### 清潔及保養

⚠ 警告：在清潔或保養雪櫃前，必須拔掉電源插頭。請勿使用蒸汽清洗裝置--觸電風險。

⚠ 禁止使用腐蝕性液體、易燃液體、清潔蠟、濃縮清潔劑、漂白水、清潔劑、窗戶噴霧、含石油的產品清潔雪櫃之膠件、內部及其外部。請勿使用紙巾、鋼絲棉墊或粗糙工具等清潔用品清潔。

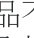
### 處理包裝物料

包裝組件是100%可循環再用，同時印有循環再用標記 ♻。

棄置雪櫃包裝物料時，必須按照當地政府的要求及法例。

### 棄置舊電器

本產品採用可回收或可循環再用的材料製造。棄置家用電器時請根據當地政府的要求及法例處理。如想知道更多關於回收和再循環的信息，請聯繫當地政府部門、家庭垃圾收集服務機構或銷售商店。本產品符合歐洲標準2012/19 / EU，廢棄電子電機設備指令 (WEEE)。請確保此產品棄置正確，以防止因不正確棄置產品導致破壞環境的影響。

若產品或相關文件上印有此標記  代表此產品不可當作一般垃圾棄置，必須由相關回收電器及電子商作回收。

### 節省能源貼士

此產品必須安裝於乾爽及通風的環境，及遠離發熱源頭(如發熱器，電磁爐等)。不可直接被陽光照射。如有需要，請使用絕緣板。

為確保有足夠的通風，請根據以下安裝指示，如產品背部沒有足夠的通風，會增加產品的能源消耗及減低冷凍效能。

此產品的內部溫度，會受周邊環境，門開的次數及擺放的位置等因素而影響，因此，設定溫度時，亦需要考慮有關因素而調較。

建議減少門開關的次數。

當食物進行解凍時，請將食物儲放在冷藏室內，冷凍產品的低溫冷卻了雪櫃中的食物。必須將暖的食物及飲品冷卻後才允許儲放於此產品內。

層架擺放的位置，並不影響能源消耗。食物必需放疊於層架上，以確保有足夠空間讓空氣流動。(存放食品時，要留有適當的空隙，否則會影響空氣流動)。

用家可拆除層架以增加存物空間。

壓縮器所發出的噪音屬正常現象。



## 棄置舊雪櫃



### 警告

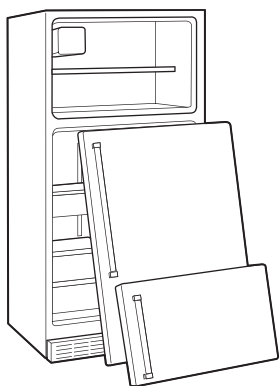
#### 窒息風險

請將櫃門卸掉，並拆下門封條及層架、抽屜等。  
不遵守這些指示可引致死亡或腦部受損。

**重要事項:** 避兒童窒息風險。即使只擺放棄置雪櫃數天仍然很危險。如果您要棄置舊雪櫃，請按照指示避免事故發生。

#### 棄置雪櫃須知：

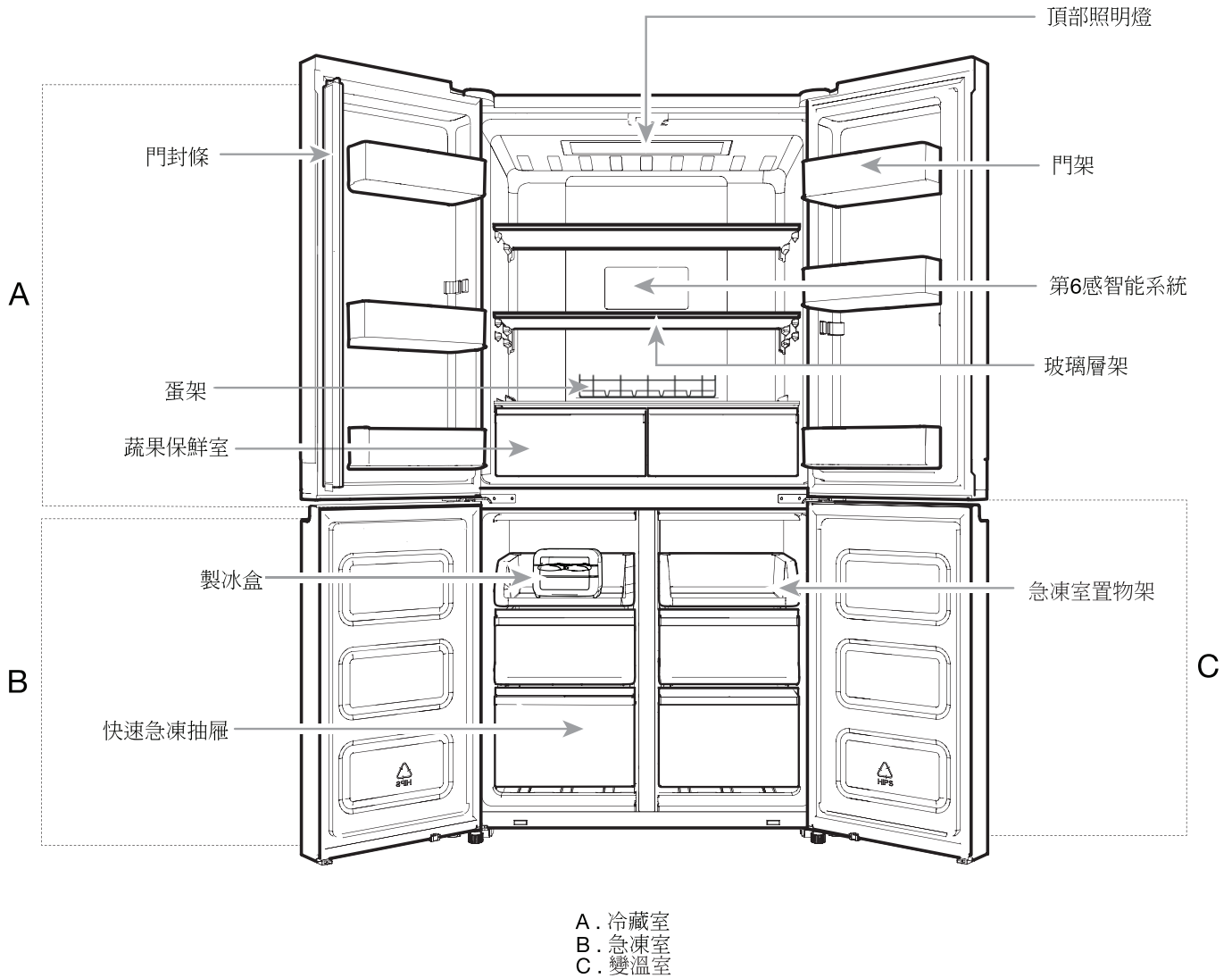
- 請拆卸櫃門。
- 請拆卸層架以避免兒童攀爬。



#### 棄置雪櫃重要事項:

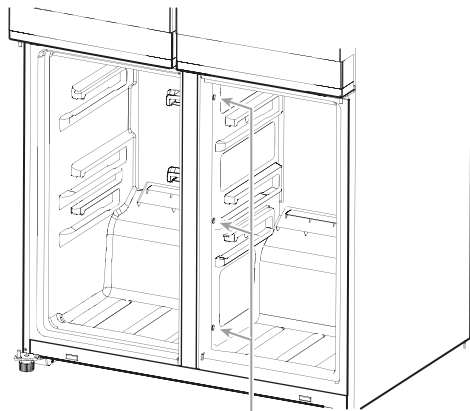
棄置雪櫃時，請跟從當地政府的要求及法例。製冷劑必須由專業技術人員處理。

# 產品概述



## 維修服務使用指引:

可拆除右邊三粒螺絲(請參閱下面圖像)。拆下中間的蒸發器可進行維修服務工作。



螺絲位置

## 淨容量:

冷藏室  
急凍室  
總容量

384 L  
207 L  
591 L

# 安裝指引

## 使用前準備 安裝清單

### ✓ 電源

**警告**



**觸電危機**

插入一個連接地線的電源插座。  
切勿移除地線插腳。  
切勿使用變壓器。  
切勿使用延長線。  
不遵守這些指示可引致死亡、火警或觸電危險。

- 請將雪櫃插入接地電源插座。

### ✓ 櫃門

- 如在安裝過程中需拆下櫃門，請參閱「拆除及安裝冷藏室櫃門」和「拆除及安裝急凍室/變溫室櫃門」章節。

- 櫃門需緊密關上。
- 雪櫃需放置成水平線。可通過調整雪櫃底部兩側的調節腳，使雪櫃放置更穩固。
- 左右櫃門必須平行。

### ✓ 最後檢查

- 拆除所有包裝材料。
- 設置理想的溫度。
- 請妥善保管說明書。
- 為得到更完整的售後服務，請在下列地址為您的產品登記：  
香港: [www.whirlpool.com.hk](http://www.whirlpool.com.hk)  
歐洲: [www.whirlpool.eu/register](http://www.whirlpool.eu/register)  
新加坡: [www.whirlpool.com.sg](http://www.whirlpool.com.sg)

## 拆除包裝



### 警告

#### 過重危機

為安全起見，必須兩個人或以上搬運雪櫃。  
不遵守這些指示可引致受傷。

### 搬運雪櫃

為方便搬運雪櫃，家中大門需開啟至最少838毫米(33英吋)。如大門只能開至或少於914毫米(36英吋)，請拆下雪櫃櫃門、抽屜和門封條以便搬運。  
請將手推車從雪櫃側面推進。

#### 移動雪櫃:

此雪櫃之重量很重。如要移動雪櫃進行清潔，請把保護墊或乾布鋪在地上，以免地板受損。搬運雪櫃時請保持雪櫃成垂直狀態。為避免雪櫃門損壞，切勿拖拉雪櫃。

### 移除包裝

- 啟動雪櫃前，請先除去表面的膠紙和膠黏劑。在膠漬上擦上少量碗碟清潔劑，再用溫水抹拭，然後晾乾。
- 為避免損壞雪櫃表面，切勿使用尖銳器具、酒精、易燃液體或研磨清潔劑去除膠紙或膠黏劑。
- 棄置 / 回收可循環再用的物料。

### 使用前清潔

拆除包裝物料後，在使用前請清潔雪櫃內部。有關詳情請參閱「清潔保養」章節。

#### 有關玻璃層架和雪櫃頂部的重要事項：

當玻璃層架和雪櫃頂部仍然是冰凍的狀態時，請勿使用溫水清潔。玻璃層架和雪櫃頂部會因接觸差別大的溫度而破裂，強化玻璃會變成碎片。由於玻璃層架和雪櫃頂部較重，為避免跌下，請用雙手移動。



## 安裝位置



### 警告



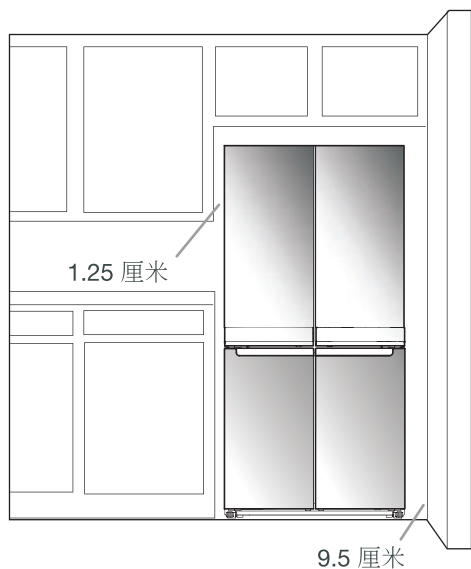
#### 爆炸危險

雪櫃應遠離易燃物品和氣體，例如：汽油等。

不遵守這些指示可引致死亡、爆炸、或火災危險。

為確保雪櫃通風良好，雪櫃左右和頂部要留至少1.25厘米的空間，背部與牆壁之間亦應留至少5厘米的空間。將雪櫃放置在角落時，雪櫃和牆壁之間要留最少9.5厘米空間，以使櫃門可以打開。

**注意：**雪櫃適用於溫度範圍由攝氏10度至攝氏43度的地方。室內溫度在建議範圍內可降低用電量並達致有效的冷卻效果，溫度範圍為攝氏15度至攝氏32度。建議您不要將雪櫃安裝於接近熱源源頭，如焗爐或暖爐。



## 電源使用



### 警告



#### 觸電危機

插入一個連接地線的電源插座。

切勿移除地線插腳。

切勿使用變壓器。

切勿使用延長線。

不遵守這些指示可引致死亡、火警或觸電危險。

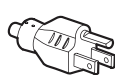
**重要事項：**安裝和電源接駁必須由專業技術人員跟從製造商指示安裝，並必須依照當地法例的指引。

- 雪櫃使用的電源必須與規格標籤上列明的電源一致，並單獨使用標準三腳插座(10A以上)，電壓波動範圍需在220至240伏特之間。
- 確保產品上指定的電壓與您家中的電壓相符。
- 產品必須可以拔下插座或通過安裝在插座上游的主兩極開關來截斷產品與電源的連接。
- 如果電源線損壞，為了避免危險，必須由製造商、其維修部或合資格的專業技術人員進行更換。

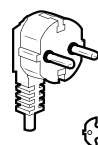
在移動雪櫃至位置前，請確保可以接駁電源。

#### 建議接地連接的方法

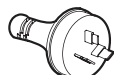
220-240 伏特 50 赫, 220 伏特 60 赫, 或 230/240 伏特 50 赫電源插頭需接駁接地電源和熔線。



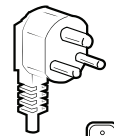
種類 B



種類 E 和 F



種類 I



種類 M



種類 G

## 電力使用 (只適用於英國、愛爾蘭、新加坡和香港)

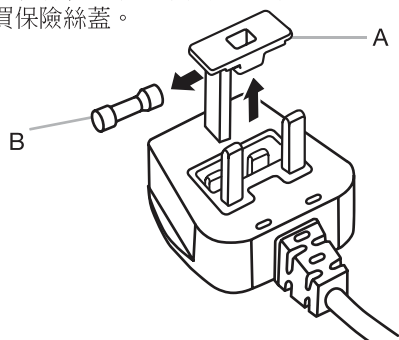
**注意事項:** 此雪櫃必須進行接地連接。

### 更換保險絲

如果此雪櫃的主導線符合BS1363A，13安培保險絲用於更換此保險絲插頭，請使用A.S.T.A.批准的BS1362型保險絲並按照以下方式進行更換：

1. 拆下保險絲蓋(A)和保險絲(B)。
2. 更換保險絲蓋上的13A保險絲。
3. 將保險絲及蓋子重新插回插頭。

**注意事項：**更換保險絲時必須重新安裝保險絲蓋。如果保險絲蓋丟失，必須重新安裝正確的替代保險絲蓋才可使用插頭。正確的替代品印有彩色或有彩色字壓印在插頭的底座上。您可在當地的電器零售商購買保險絲蓋。



A. 保險絲蓋  
B. 保險絲

只適用於愛爾蘭:

第三種插頭和插座亦可使用:兩腳接地連接。

### 插座/插頭：

如果插頭不適合您的插座，請聯繫售後服務部門作進一步指導。請不要試圖自己更換插頭。只可由合資格的技術人員按照製造商的規定和標準安全性法例更換。

## 溫度

根據銘牌上的氣候溫度類型，此產品只可在規定溫度下運作。如雪櫃長時間離開指定溫度，雪櫃不會正常運作。

**注意:** 不建議雪櫃安裝於接近熱源源頭，例如:焗爐，暖爐等。

氣候溫度類型	溫度 (攝氏 °C)	溫度 (華氏 °F)
SN	由 10 至 32	由 50 至 90
N	由 16 至 32	由 61 至 90
ST	由 16 至 38	由 61 至 100
T	由 16 至 43	由 61 至 110

## 拆除及安裝冷藏室櫃門

注意:在搬運雪櫃前,請留意家中大門是否有足夠的闊度搬運雪櫃。如需拆下櫃門,請參閱下列的指示。

重要事項:如要搬走舊雪櫃,請關上雪櫃電源並取下食物、層架和門架。

在拆下櫃門前,請準備所需工具和參閱以下指示。

所需工具:6毫米套頭扳手,5毫米套頭扳手和#2十字螺絲批。



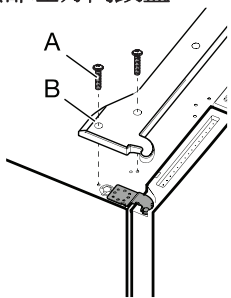
### 警告

觸電危機

搬運雪櫃前請截斷電源。

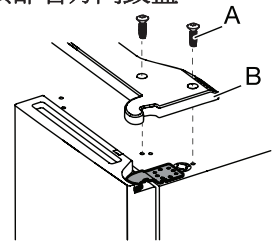
不遵守這些指示可引致死亡或觸電危險。

頂部左方門鉸蓋



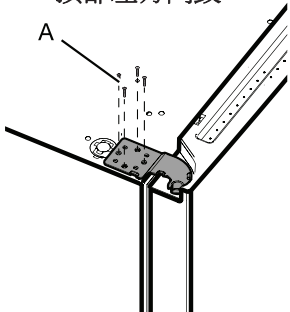
- A. 頂部門鉸蓋螺絲
- B. 頂部門鉸蓋

頂部右方門鉸蓋



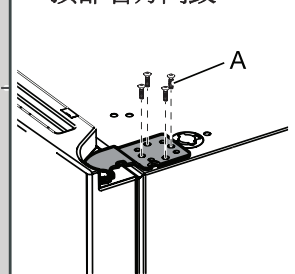
- A. 頂部門鉸蓋螺絲
- B. 頂部門鉸蓋

頂部左方門鉸



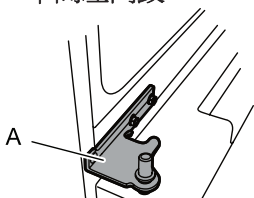
- A. 5毫米螺絲

頂部右方門鉸



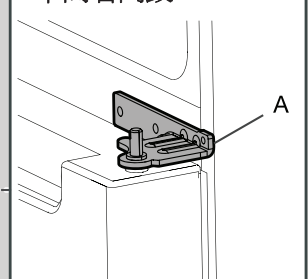
- A. 5毫米螺絲

中間左門鉸



- A. 門鉸

中間右門鉸



- A. 門鉸



## 警告

### 過重危機

為安全起見，必須兩個人或以上拔起櫃門。  
不遵守這些指示可引致受傷。

### 拆除櫃門



## 警告



### 觸電危機

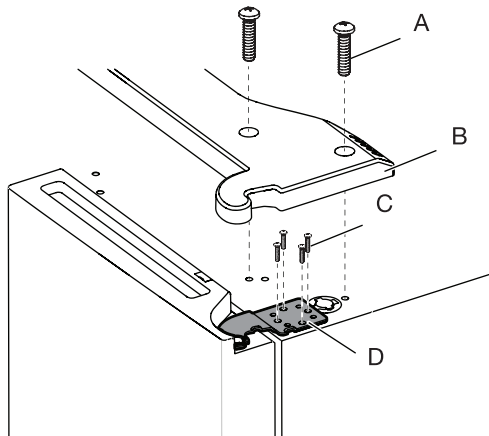
搬運雪櫃前請截斷電源。  
不遵守這些指示可引致死亡或觸電危險。

### 拆除右櫃門

1. 拔掉雪櫃插頭或關上電源。
2. 請保持櫃門關上直至拆下櫃門。

**注意:** 當門鉸正在拆下時，請用其他東西支撐櫃門。請勿依賴雪櫃門封條的磁石支撐。

3. 使用螺絲批拆除頂部及門鉸。
4. 使用5毫米套頭扳手拆除頂部及兩旁的四個螺絲。



A. 頂部門鉸螺絲  
B. 頂部門鉸蓋

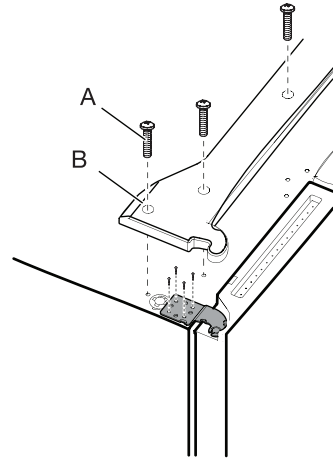
C. 5毫米螺絲  
D. 頂部門鉸

5. 從中間栓拔起櫃門。頂部門鉸將離開櫃門。

### 拆除左櫃門

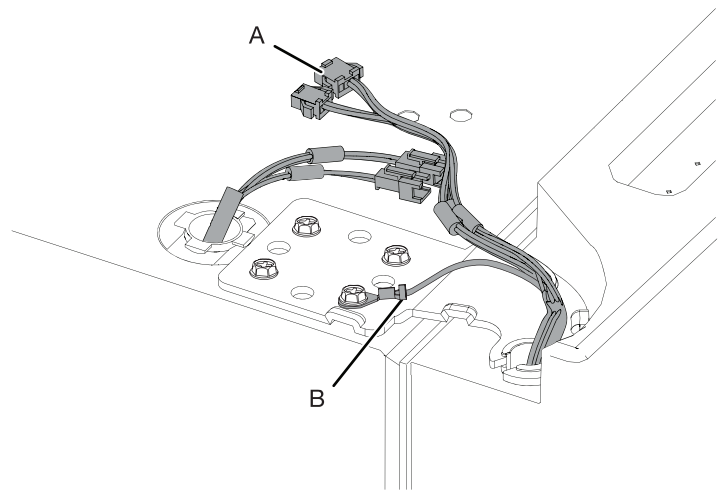
**重要事項:** 電線通過左側門鉸，所以在拆除櫃門前必須斷開連接。

1. 使用十字螺絲批，從頂部門鉸拆下蓋子。



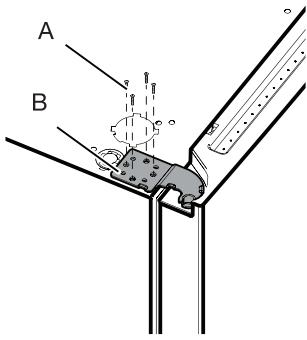
A. 頂部門鉸螺絲  
B. 頂部門鉸蓋

2. 斷開位於門鉸頂部的兩個接線插頭。
  - 抓住接線插頭的兩側。用左手拇指，按下以解除門扣並拉動部分插頭。



A. 接線插頭  
B. 接地連接器

3. 使用5毫米套頭扳手，拆除頂部及兩側的四個內部螺絲。



A. 5毫米螺絲  
B. 頂部門鉸

**注意:**當門鉸正在拆下時，請用其他東西支撐櫃門。請勿依賴雪櫃門封條的磁石支撐。

4. 從中間栓拔起櫃門。頂部門鉸將離開櫃門。

**注意:**移動雪櫃時可能不需拆除底部門鉸和調節腳，雪櫃亦能通過門口。

- 必要時，可使用6毫米套頭扳手和十字螺絲批拆下中間門鉸。

#### 安裝右櫃門

1. 將右側門放在中間門鉸上。
2. 將頂部門鉸插入雪櫃門頂部的插孔中。
3. 使用四個5毫米螺絲將門鉸固定到雪櫃頂部。不要完全擰緊螺絲。

#### 安裝左櫃門

1. 將左側門放在中間門鉸上。
2. 使用四個5毫米螺絲將門鉸固定到雪櫃頂部。不要完全擰緊螺絲。
3. 重新連接電線。
  - 將兩頭連接插頭連接在一起。
  - 將接地線重新連接到門鉸螺絲。

#### 最後步驟

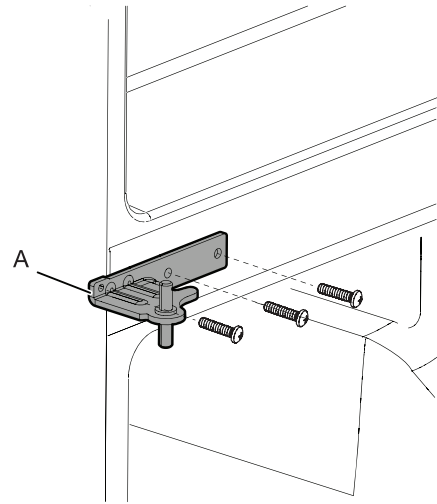
1. 擰緊8個5毫米螺絲。
2. 安裝頂部門鉸蓋。

## 拆除及安裝急凍室/變溫室櫃門

1. 請保持櫃門關上直至拆下櫃門。

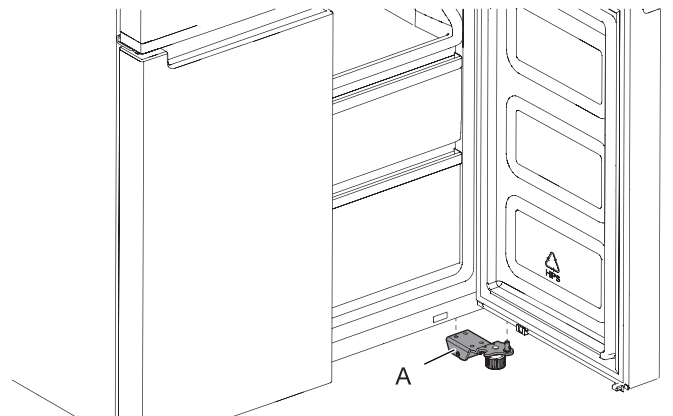
**注意:**當門鉸正在拆下時，請用其他東西支撐櫃門。請勿依賴雪櫃門封條的磁石支撐。

- 使用十字螺絲批和6毫米套頭扳手拆下中間門鉸。




A. 中間門鉸

- 從底部門鉸拆下急凍室櫃門。



A. 底部門鉸

 **警告**



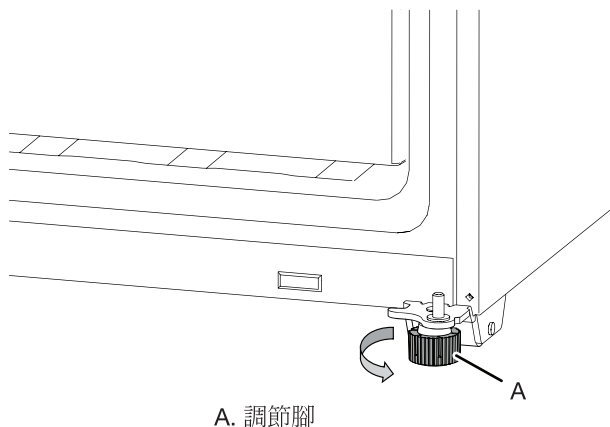
**觸電危機**

插入一個連接地線的電源插座。  
切勿移除地線插腳。  
切勿使用變壓器。  
切勿使用延長線。  
不遵守這些指示可引致死亡、火警或觸電危險。

1. 連接接地電源插座。
2. 將所有可拆卸配件和食物放回抽屜。

### 雪櫃水平調節

1. 搬運雪櫃至最終位置上。
2. 用手轉動調節腳。逆時針轉動直到滾子離開地板並且兩個調節腳都緊貼在地板上，開櫃門時可使雪櫃不會向前滾動。

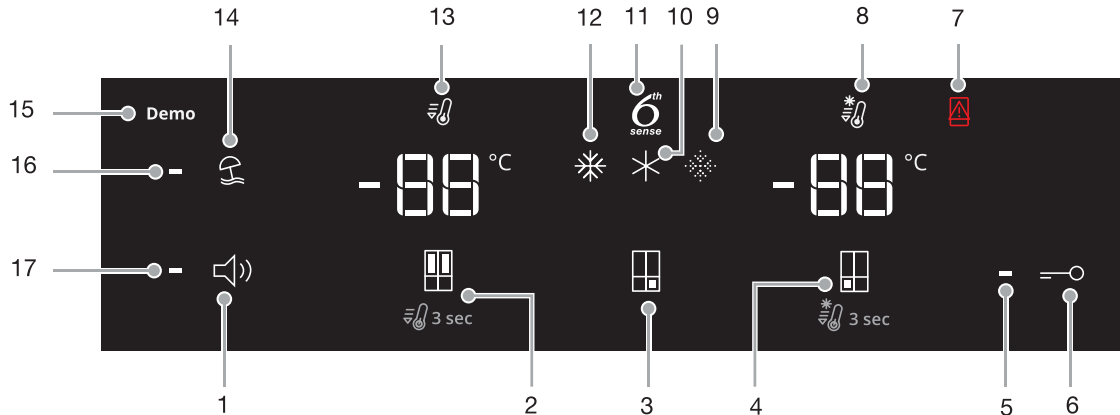


**重要事項:** 如要轉動調節腳，請調較直至雪櫃成水平線。

3. 使用水平儀確保雪櫃左右及前後成同一水平。

## 控制面板

控制面板位於左側雪櫃門上。控制面板包含有關各種按鈕的信息和指示。急凍室和冷藏室溫度指示器顯示最後的溫度設定點。



1. 聲音開/關選擇鍵
2. 冷藏室溫度選擇鍵(按下3秒以啟動速冷模式)
3. 變溫室溫度選擇鍵
4. 急凍室溫度選擇鍵(按下3秒以啟動速凍模式)
5. 鎖定指示圖標
6. 鎖定指示選擇鍵
7. 開門指示圖標
8. 快速急凍模式圖標
9. 輕量凍模式圖標
10. 溫和凍模式圖標
11. 第6感智能圖標
12. 傳統模式圖標
13. 快速冷凍模式圖標
14. 假日模式選擇鍵
15. 示範模式圖標
16. 假日模式圖標
17. 聲音圖標

控制面板會在靜止一分鐘後自動關閉。請按任何鍵再次開啟控制面板。

### -88 查看和調整溫度

#### 調整冷藏室和急凍室溫度：

為了您的方便，您的冷藏室和急凍室已預設溫度。

當您第一次安裝雪櫃時，請確保溫度仍設定為建議的設定點。廠商推薦的冷藏室和急凍室的設定點是攝氏3度和攝氏-18度。

按下冷藏室或冷凍室溫度選擇鍵切換溫度的設定點（攝氏）。

#### 重要事項:

- 將食材放進雪櫃前請等待24小時。雪櫃未完全冷凍時放入食物，食物有機會變壞。  
**注意:**將溫度設定低於建議溫度不會加快制冷速度。
- 如發現溫度太熱或太凍，請先檢查是否有食材阻礙排風口再調整控制面板。
- 建議溫度設定點應適合家庭使用。當牛奶或果汁已達到您理想的冷凍溫度和雪糕已堅硬時，證明控制面板的溫度調整正確。  
**注意:**車庫、地下室或走廊等區域可能有更高的濕度或極端溫度，您可能需要調整溫度以適應環境。
- 每一次調整需相隔至少24小時。作下一次調整前請再次確認溫度。

### 6<sup>th</sup> 第6感智能感應保鮮


第6感智能感應保鮮提供精確和穩定的溫度。此功能自動感應溫度的變化，立即恢復到最理想的溫度，以確保食物得到保鮮控制。

第6感智能感應保鮮的創新溫度管理技術系統可減少急凍室的溫度波動，隨時作合適調節，保存食物最佳味道、色澤及營養。

### ❄️ ❄️ ❄️ 變溫室設定

用家可按個人需要及食物種類調節變溫室的溫度。

圖標	功能	溫度
❄️	傳統模式	攝氏-18度
❄️	溫和冷凍模式	攝氏-12度
❄️	輕量冷凍模式	攝氏-7度

要啟動/停用最冷設定（攝氏-20度），請按變溫室溫度選擇鍵。啟動最冷設定後，三個圖標將亮起。

#### 調整不同溫度的設定

- 傳統模式 (攝氏- 18度)：食材已冷凍和保存新鮮(最長保鮮期達12個月)
- 溫和冷凍模式 (攝氏- 12度)：食材已冷凍(最長保鮮期達1個月)
- 輕量冷凍模式 (攝氏- 7度)：食材已冷凍(最長保鮮期達1星期)



- 當變溫室溫度設定於攝氏-18度至攝氏-20度，變溫室和急凍室溫度會自動調節為較凍溫度。
  - 當周遭環境達至攝氏-10度或以下，變溫室溫度可能未達至攝氏-7度。
- 調整溫度設定時，請參閱以下圖表：

圖表只供參考：

情況	溫度設定點
冷藏室太凍	冷藏室溫度設置攝氏1度以上
冷藏室太暖	冷藏室溫度設置攝氏1度以下
急凍室太凍	急凍室溫度設置攝氏1度以上
急凍室太暖/製冰程度太少	急凍室溫度設置攝氏1度以下

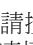

### 快速冷凍模式

快速冷凍模式適用於使用量高、放置大量食物，或短暫和暖的室溫時。

- 請按冷藏室溫度選擇鍵3秒  以啟動快速冷凍模式。啟動快速冷凍模式後，快速冷凍模式圖標燈將亮起。除非手動關掉，否則快速冷凍模式將會在2小時後自動關閉。
- 按下冷藏室溫度選擇鍵3秒  以關閉快速冷凍模式。關閉快速冷凍模式後，快速冷凍模式圖標燈將熄滅。
- 調整冷藏室溫度時快速冷凍模式將自動關閉。

### 快速急凍模式

可在24小時內冷凍新鮮食物（公斤）的數量已在產品銘牌上標明。

- 在放置新鮮食材24小時前，請按急凍室溫度選擇鍵3秒  啟動快速急凍模式（直到快速急凍模式圖標燈亮起），50小時後快速急凍模式將會自動關閉。
- 按下急凍室溫度選擇鍵3秒  以關閉快速急凍模式。關閉快速急凍模式後，快速急凍模式圖標燈將熄滅。
- 調整急凍室溫度時快速急凍模式將自動關閉。

### 假日模式

此模式旨在不經常使用雪櫃的時候避免你的產品浪費電量消耗（例如假期的時候）。

此功能將自動設置冷藏室的溫度為攝氏12度。

- 請按假日模式選擇鍵直至假日模式圖標燈在顯示屏上亮起。
- 請按假日模式選擇鍵退出假日模式直至假日模式圖標燈在顯示屏上熄滅。
- 調整冷藏室溫度時假日模式將自動關閉。

**重要事項：**如選擇此模式，請移走冷藏室內所有食物和飲料。

### 聲響開/關

按下按鈕可啟動/停用聲響反饋。

### 鎖定指選擇示鍵

- 按住鎖定指示鍵3秒以啟動鎖定模式。
- 要關閉鎖定模式，請按住鎖定指選擇鍵3秒。

鎖定功能將忽略控制面板的所有指示，直到用戶關閉控制面板鎖定模式。此功能旨在避免無意中改變了設定。

### 示範模式


此模式適合在零售店中展示雪櫃或關閉冷卻功能和所有功能（室內照明除外）。

此模式適合在長假期間使用。有關正確步驟，請參閱「假日模式及搬運注意事項」。

- 示範模式開啟後，示範模式圖標燈將亮起。
- 按下聲響開/關選擇鍵和鎖定指選擇鍵3秒開啟或退出示範模式。

### 其他功能

#### 開門響鬧

- 當任何一道櫃門開啟超過2分鐘，會發出警報聲和亮起開門指示燈。
- 雪櫃會每5分鐘響鬧一次直至關閉所有櫃門為止。

**注意：**如需要長啟開啟櫃門，例如清潔雪櫃內部，請在控制面板按下任何鍵。響鬧聲音會暫時關閉，但開門指示燈會繼續亮起。

### 照明燈

當開啟任何一道櫃門，照明燈均會亮起。

**注意：**照明燈為LED，不需更換。如發現開啟櫃門時照明燈沒有亮起，請聯絡客戶服務中心更換照明燈。



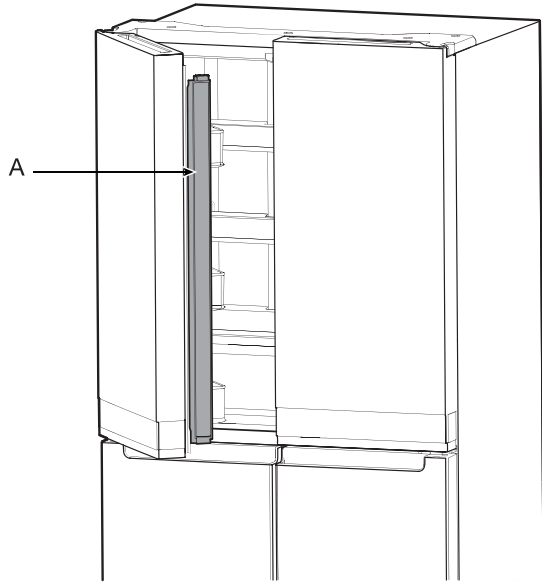
# 使用說明

## 開門及關門

冷藏室共有兩道門，可獨立或一起開關。冷藏室左上方有一個垂直的門封條。

- 當左側門打開時，門封條會自動向內折疊，不會阻礙使用者。
- 當兩道門都關閉上時，門封條會在兩道門之間自動閉緊。

**注意:** 關閉櫃門時，門封條應處於正確位置（內側彎曲）。否則會撞到右門或固定軸。

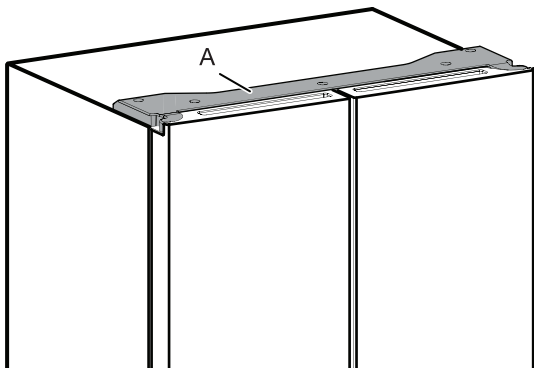


A. 門封條

冷藏室櫃門開關位置位於左上和右上。

- 急凍室和變溫室的開關位置位於底部豎框中。
- 櫃門的開關使用磁鐵感應開/關。
- 確保在門鉸蓋7.62厘米範圍內沒有任何磁鐵或電子設備（揚聲器，Coolvox®等）。

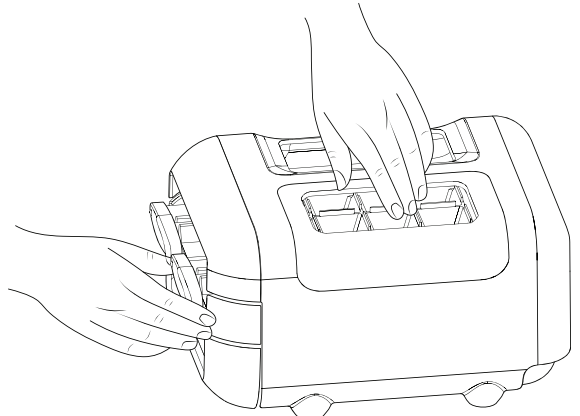
**注意:** 如沒有感應櫃門打開，照明燈不會亮起。



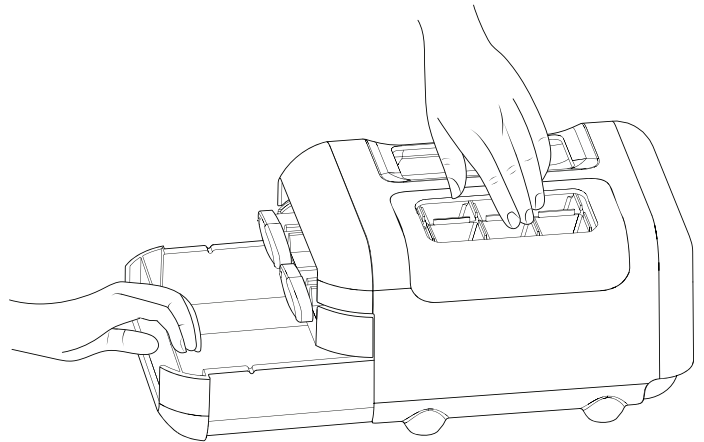
A. 門鉸蓋

## 製冰盒

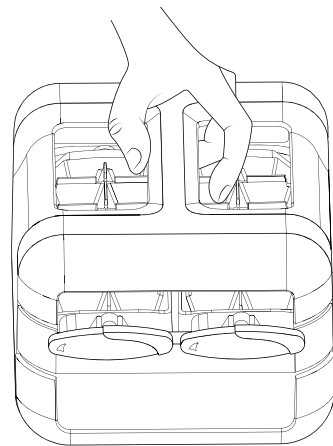
- 要製造冰塊，請在冰格內注入飲用水並放置於急凍室最高層架。待製冰盒中的水結冰後，順時針方向扭動旋轉旋鈕，可使冰塊倒進製冰盒內。



- 使用冰塊時只需輕輕提起製冰盒並拉出即可。



不需要製造冰塊時，可以從急凍室中取出製冰盒以增加更多存物空間。



## 存放食物

### 雞蛋架

建議將雞蛋存放在穩定的溫度下以保持新鮮，因此最好將雞蛋存放在冷藏室中間的層架。

# 層架、門架及抽屜

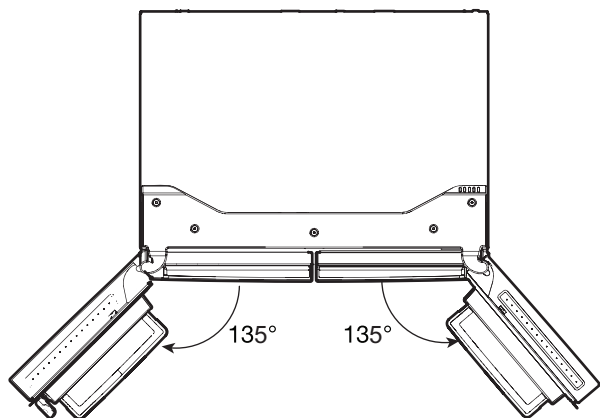
## 有關玻璃層架和雪櫃頂部的重要事項：

當玻璃層架和雪櫃頂部仍然是冰凍的狀態時，請勿使用溫水清潔。玻璃層架和雪櫃頂部會因接觸差別大的溫度而破裂，強化玻璃會變成碎片。由於玻璃層架和雪櫃頂部較重，為避免跌下，請用雙手移動。

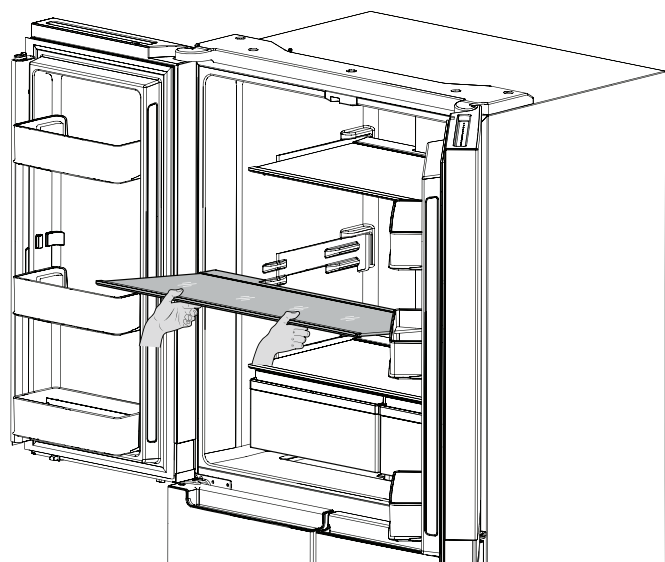
## 調較層架

可改變層架的位置由下方變為上方，反之亦然。

- 完全打開右櫃門。
- 完全打開左櫃門。



- 取出層架並安裝於所需位置。



- 確保層架正確安裝在層架的擱架上。

## 層架、門架和抽屜

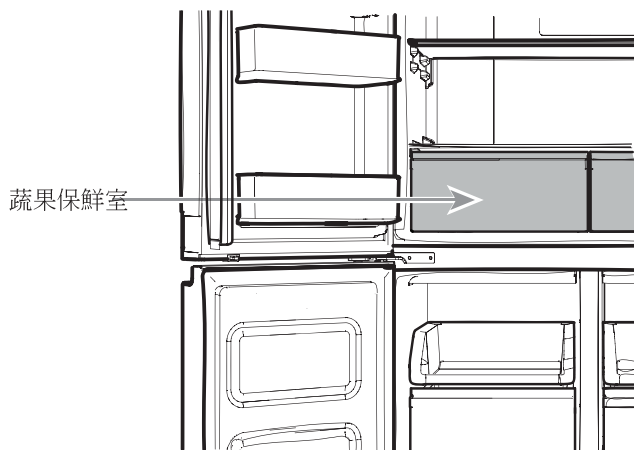
冷藏室的層架可調節以滿足您的個人存物需求。

將類似食品一起存放在冷藏室內並調整層架以適應不同高度的物品將使您更容易找到所需物品，還可減少櫃門打開的時間並節省能源。

### 拆除和安裝層架：

1. 完全打開右櫃門和完全打開左櫃門。
2. 將中間層架或頂部層架抬起並從擱架中取出，然後向前拉出來並向下垂直傾斜，轉動層架並從冷藏室取出。
3. 將最底部的層架抬起並從擱架中取出，然後向前拉出來並向下垂直傾斜，轉動層架並從冷藏室取出。
4. 將層架放在冷藏室中，並將層架正面向下放置。抬起層架前部並向後滑動，直到層架插入後部的支撐。降低層架前部並確保層架安裝於正確位置。
5. 將層架放在冷藏室中，並將層架正面向下放置。抬起層架前部並向後滑動，直到層架插入後部的支撐。降低層架前部並確保層架安裝於正確位置。

## 蔬果保鮮室

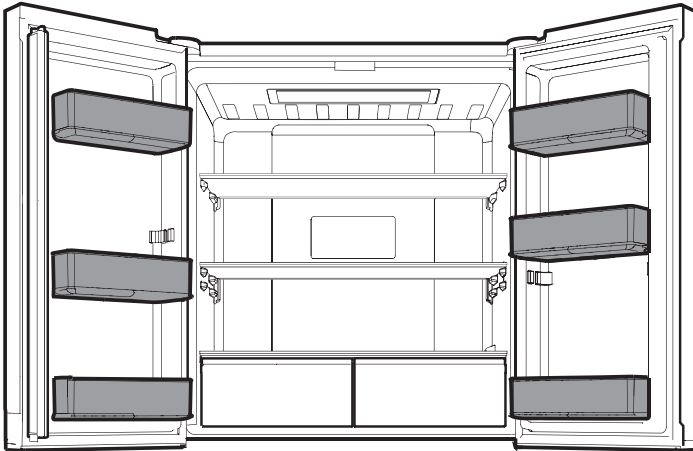


### 拆除和安裝蔬果保鮮室：

1. 握住蔬果保鮮室的把手，直接滑出直到停止，將蔬果保鮮室從底部軌道上提起。
2. 將蔬果保鮮室放回，請把蔬果保鮮室放在底部軌道上，然後直接滑入直至其到位。

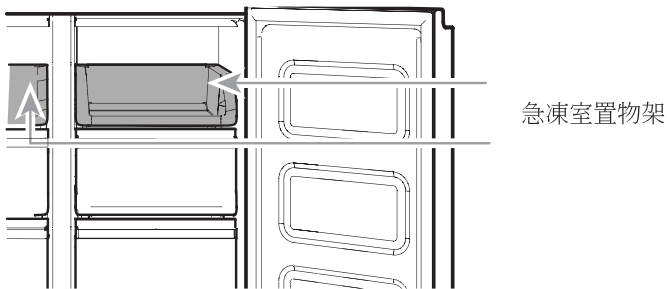
## 冷藏室門架

冷藏室的門架可調節以滿足您的個人存物需求。



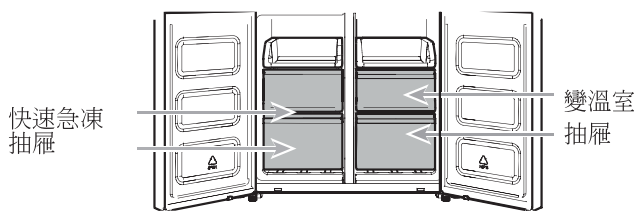
## 急凍室的使用

### 急凍室置物架



急凍室置物架可存放常用的食材，冷凍或剩菜或小物品。

### 急凍室抽屜



### 快速急凍室

- 快速急凍抽屜可存放大量食材。
- 快速急凍選項允許您安全透明地儲存所有冷凍食品。

**注意:** 當設定急凍室的溫度比變溫室高，急凍室的溫度可能會自動調較至與變溫室的溫度一樣。

### 變溫室

變溫室的溫度提供三種溫度選擇以存放不同種類的食材：攝氏-7度, 攝氏-12度, 攝氏-18度和攝氏-20度。

為了增加冷藏室的存物空間，您可拆除急凍室抽屜來露出層架。

### 拆除和安裝上層抽屜:

1. 握住抽屜的把手，直接滑出直到停止，將抽屜從底部軌道上提起。
2. 將抽屜放回，請把抽屜放在底部軌道上，然後直接滑入直至其到位。

### 急凍室層架

為了增加急凍室的存物空間，您可以拆除中間抽屜以露出下面的層架。您可以存放食物於上層抽屜和存放食物在層架上。

## 聲響參考

### 音調任務

音調名稱	常用例子
啟動	每一次啟動雪櫃，冷凍系統都會開啟。
按鍵	用家按下按鈕時。
無效(錯誤)	用家按下兩個或以上的按鈕。中斷需按住按鈕的時間。
參加	確認進入任何模式。
不參加	確認退出任何模式。
警報	櫃門響鬧。

此表僅供快速參考。有關詳情，請參閱相應章節。如果不一致，將以相應章節為準。

## 配件

如要訂購配件，請聯繫您購買雪櫃的經銷商。

## 支援服務

在要求支援服務前，請先自行根據「故障排除指南」章節檢查，這可節省服務費用。如果您仍需要服務，請按照以下說明操作。

### 如您需要更換零件

請聯繫您購買雪櫃的經銷商，以找到您所在地區的工廠更換零件。

### 保養

請聯繫您購買雪櫃的經銷商了解更多產品保養的資訊。

請將本雪櫃使用說明書和您的銷售單放在一起以備將來參考。您必須提供購買收據或安裝日期以獲得保養期內的服务。

寫下以下產品的相關資料有助您需要時獲得支援服務。您需要提供完整的產品型號和機身編號，您可在冷藏室內壁上的產品型號和機身編號標籤上找到此信息。

經銷商名稱 \_\_\_\_\_

機身編號 \_\_\_\_\_

地址 \_\_\_\_\_

電話號碼 \_\_\_\_\_

產品型號 \_\_\_\_\_

購買日期 \_\_\_\_\_

# 清潔保養

## 清潔

**警告**

**爆炸危機**  
請使用非燃易的清潔劑。  
不遵守這些指示可引致死亡、爆炸、或火災危險。

所有冷藏室、急凍室和變溫室部份會自動解凍。但是，需每月清潔所有部分一次，以避免積聚異味。立即擦掉溢出物。

### 外部清潔

請參閱產品相關的外部清潔資料。

#### 物料1 — 光滑的門

**重要事項:** 由於不正確使用清潔產品或使用非建議的清潔產品而導致光滑表面損壞則不在保養範圍內。尖銳或鈍的工具亦會破壞雪櫃表面。

可用	禁用
✓ 柔軟乾淨的布	✗ 磨料布 ✗ 紙巾或報紙 ✗ 鋼絲棉墊
✓ 溫和肥皂水、中性洗滌液	✗ 磨料性粉末或液體 ✗ 窗戶噴霧 ✗ 氨水 ✗ 酸性或含有醋成份的清潔劑 ✗ 烤爐清潔劑 ✗ 易燃清潔劑

**注意:** 紙巾可能會劃傷塗漆門，令透明塗層變暗。為避免損壞，請僅使用柔軟乾淨的布擦亮和抹櫃門。

#### 物料2 — 不鏽鋼

##### 重要事項:

- 請使用建議的不鏽鋼清潔劑和布。由於不正確使用清潔產品或使用非建議的清潔產品而導致不鏽鋼表面損壞則不在保養範圍內。
- 避免將不鏽鋼器具接觸腐蝕性物料如高鹽、高水份或高濕度環境中。因接觸腐蝕性物料而造成的損壞則不在保養範圍內。

可用	禁用
✓ 柔軟乾淨的布	✗ 磨料布 ✗ 紙巾或報紙 ✗ 鋼絲棉墊
✓ 溫和肥皂水、中性洗滌液	✗ 磨料性粉末或液體 ✗ 氨水 ✗ 含有柑橘成份的清潔劑 ✗ 酸性或含有醋成份的清潔劑 ✗ 烤爐清潔劑
✓ 對於重型污垢，只能使用專為家用電器設計的不鏽鋼清潔劑。要訂購清潔劑，請聯繫您購買雪櫃的經銷商。	✗ 不鏽鋼清潔劑僅適用於不鏽鋼部份。請勿使用不鏽鋼清潔劑和拋光劑接觸任何塑料部份，例如裝飾件、分配器蓋或門封條。

#### 物料3 — 指紋抗性不鏽鋼

##### 重要事項:

- 避免將不鏽鋼器具接觸腐蝕性物料如高鹽、高水份或高濕度環境中。因接觸腐蝕性物料而造成的損壞則不在保養範圍內。

可用	禁用
✓ 柔軟乾淨的布	✗ 磨料布 ✗ 紙巾或報紙 ✗ 鋼絲棉墊
✓ 溫和肥皂水、中性洗滌液	✗ 磨料性粉末或液體 ✗ 窗戶噴霧 ✗ 氨水 ✗ 酸性或含有醋成份的清潔劑 ✗ 烤爐清潔劑 ✗ 易燃清潔劑

##### 注意:

- 如果無意地將清潔劑接觸到塑料部份，請用海綿和溫和的清潔劑在溫水中清潔，並用軟布徹底抹乾。
- 不要因為清潔劑是液體就意味著它是非磨蝕性。許多配方溫和的液體清潔劑仍會損壞不鏽鋼。
- 檸檬酸會永久性使不鏽鋼變色。
- 為避免損壞不鏽鋼雪櫃的表面：

不要讓這些物質殘留在表面上：

- ✗ 芥末
- ✗ 蕃茄汁
- ✗ 大蒜蕃茄醬
- ✗ 含有柑橘成份的調味汁
- ✗ 含有柑橘成份的產品

---

## 內部清潔

---

1. 拔出雪櫃插頭或截斷電源。
2. 徹底清洗雙手，沖洗、風乾可拆卸零件和表面。在溫水中加入溫和的清潔劑並使用乾淨的海綿或軟布清潔。  
**注意:** 請勿在塑料部份，內部和門封條上使用磨蝕性或刺激性的清潔劑，如窗戶噴霧、擦洗清潔劑、易燃液體、清潔蠟、濃縮清潔劑、漂白劑或含有石油產品的清潔劑。
3. 插入雪櫃插頭或重新連接電源。

---

## 冷卻器

---

雪櫃兩側設有冷卻器，機身兩側感到溫暖屬正常現象。

---

## 照明燈

當開啟任何一道櫃門，照明燈均會亮起。

**注意:** 照明燈為LED，不需更換。如發現開啟櫃門時照明燈沒有亮起，請聯絡客戶服務中心更換照明燈。

---

## 假日模式及搬運注意事項

---

### 假日模式

---

如您選擇在長時間離開家中時雪櫃仍然運作：

1. 預先消耗較易腐爛的食材和冷卻其他食物。
2. 如雪櫃有自動製冰盒，並連接到家用水源頭，請關閉雪櫃的供水源。如果沒有關閉供水，可能會造成財產損壞。
3. 如雪櫃有自動製冰盒，請關閉製冰盒。
  - 按下關閉鍵(O)。

4. 清空門架。  
如您選擇在長時間離開家中前關閉雪櫃電源：

**注意:** 請在示範模式指示器選擇假日模式，詳情請參閱「控制面板」章節。

1. 取下雪櫃內所有食物。
2. 如雪櫃有自動製冰盒：
  - 請在最少一天前關閉自動製冰盒的供水。
  - 當最後一次加載冰塊時，可根據您雪櫃的型號，在控制面板上按下關閉鍵(O)。
3. 清空門架。
4. 關閉溫度選擇鍵，詳情請參閱「控制面板」章節。
5. 清潔和抹乾雪櫃。
6. 請將橡膠或木塊粘貼到兩道門的頂部，以便空氣進入。這可以阻止氣味和黴菌積聚。

---

## 搬運注意事項

---

當閣下要將雪櫃移到新居時，請依照以下步驟：

1. 取下所有食物並用乾冰包裝急凍食品。
2. 清空門架。
3. 拔出電線插頭。
4. 徹底清潔和抹乾雪櫃。
5. 拿走所有可取出的配件，然後包好。用膠帶把它們黏好，使它們不會在搬運時移動及發出咯咯聲。
6. 根據不同型號，抬起雪櫃的前部使更容易滾動或抬起螺絲，使雪櫃不會刮到地板上。詳情請參閱「調較櫃門」或「雪櫃水平調節和開門及關門」部分。
7. 用膠帶將雪櫃門穩固，使其不能開啟，再用膠帶把電線黏在櫃邊。

當閣下搬到新居後，請參閱「安裝指引」章節，以取得安裝資訊。

# 故障排除指南

在要求支援服務之前，請嘗試根據以下建議的解決方法。

⚠
警告



**觸電危機**

插入一個連接地線的電源插座。  
切勿移除地線插腳。  
切勿使用變壓器。  
切勿使用延長線。  
不遵守這些指示可引致死亡、火警或觸電危險。

如您有遇過以下情況	可能性	解決方法
<b>雪櫃運作</b>		
雪櫃不能運作。	檢查電源。	將電源線插入接地電源插座。
		請勿使用延長線。
		確保插座可以供電。可插上一盞燈，查看插座是否正常運作。
		重置斷路器。更換任何保險絲。 <b>注意:</b> 如仍然存在問題，請聯繫合資格的電工人員。
	檢查控制面板。	確保控制面板已開啟，詳情請參閱「控制面板」章節。
新安裝。	安裝雪櫃後，請等待24小時讓雪櫃完全冷卻。 <b>注意:</b> 將雪櫃溫度調較至最低不會加快冷卻的速度。	
雪櫃設定為示範模式(某些型號)。	如雪櫃設定為示範模式，冷卻功能已關閉並有「示範」兩字顯示於控制面板。如想知道更多資訊，請參閱「控制面板」章節。	
馬達的運轉次數太多。	高效能壓縮機和風扇。	在節能的速度下，雪櫃能發揮更高效能。
	室外和室內溫度太熱。	雪櫃在這些條件下工作更長時間屬正常現象。為達至最佳性能，請將雪櫃放置於室內和可控制溫度的環境中。請參閱「安裝位置」章節。
	存放過量溫熱的食物在雪櫃內。	熱的食物會使雪櫃運行更長時間，直到空氣冷卻到所需的溫度。
	開門次數太頻繁或長時間打開。	進入雪櫃的暖空氣使雪櫃運行更多。請減少開門的次數。
	冷藏室或急凍室的抽屜已打開。	確保雪櫃成水平線。請參閱「雪櫃水平調節和開門及關門」部分。防止食物和容器阻礙櫃門。
	雪櫃設置溫度過低。	將雪櫃調節到少冷的冷卻設定，直到雪櫃溫度符合要求。
	櫃門或抽屜墊圈骯髒、磨損或破裂。	清潔或更換墊圈。門封條洩漏將導致雪櫃運行更長時間以保持所需的溫度。

# 故障排除指南

在要求支援服務之前，請嘗試根據以下建議的解決方法。

如您有遇過以下情況	可能性	解決方法
照明燈不亮。	您的雪櫃配備的LED燈不需要更換。	如果雪櫃已開啟，打開櫃門或抽屜時照明燈不亮，請致電維修或支援服務。
	櫃門已打開超過10分鐘。	關閉櫃門和抽屜以重置並打開櫃門以恢復亮燈。
	未能偵測櫃門已開啟。	確保門鉸蓋7.6厘米（3英吋）內沒有任何磁鐵或電子設備。
溫度控制無法啟用。	溫度控制已進入睡眠狀態。	按下控制面板上任何鍵來啟動溫度控制。
	溫度選擇鍵不能運作。	嘗試重新啟動雪櫃電源以重置按鈕。如仍然存在問題，請致電支援服務。
	溫度控制沒有接駁電源。	檢查門鉸的電線。
無法在控制面板上調整溫度。	櫃門打開，雪櫃發出警報聲。	請關上櫃門。
<b>異常噪聲</b>		
雪櫃發出噪音。	新雪櫃中的壓縮機能有效地調節溫度，同時使用更少的耗電量和安靜地運行。	由於減少操作的噪音，您可能會注意到不尋常的噪音。
壓縮機運行時間比預期長。	高效能壓縮機和風扇。	在節能的速度下，雪櫃能發揮更高效能。
震脈搏聲 / 呼呼聲	風扇/壓縮機調整以達至最佳性能。	屬正常現象。
啪啪聲	內壁收縮/膨脹，特別是在初始冷卻期間。	屬正常現象。
嘶嘶聲/滴水聲	壓縮機中的製冷劑或油流出。	屬正常現象。
振動	雪櫃可能擺放不穩定。	調整螺絲並將調節腳牢固地靠在地板上。請參閱「雪櫃水平調節和開門及關門」部分。
嘶嘶聲	在除霜期間，水滴在加熱器上。	屬正常現象。
水流聲/咯咯聲	在除霜期間冰塊融化，並且水流入排水盤。	屬正常現象。

# 故障排除

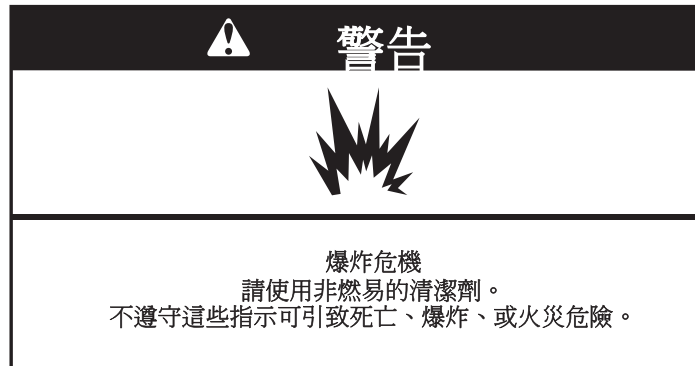
在要求支援服務之前，請嘗試根據以下建議的解決方法。

如您有遇過以下情況	可能性	解決方法
<b>溫度和濕度</b>		
溫度太熱。	雪櫃剛安裝。	安裝雪櫃後，請等待24小時讓雪櫃完全冷卻。
	沒有正確設置。	請調整為較冷的設定。24小時內檢查溫度。請參閱「控制面板」章節。
	櫃門經常打開或沒有緊密關上。暖空氣進入雪櫃。	減少雪櫃開門的次數和緊密關上雪櫃門。
	存放過量食物在雪櫃內。	需數小時讓雪櫃回復正常溫度。
	示範模式已開啟。	關閉示範模式，詳情請參閱「控制面板」章節。
	假日模式已開啟。	關閉假日模式，詳情請參閱「控制面板」章節。
冷藏室和蔬果保鮮室溫度太低。	冷藏室的排風口被堵塞。	如果位於蔬果保鮮室中間後部的排風口被前面的物品擋住，使冷藏室會變得太冷。請將物品移離排風口。
	沒有正確設置。	請調整為較暖的設定。24小時內檢查溫度。請參閱「控制面板」章節。
可調整抽屜的溫度太低。	沒有為抽屜裡的食物正確設置溫度。	調整溫度，詳情請參閱「控制面板」和「使用說明」章節。
內部有水份積聚。 注意：有部份水份積聚屬正常現象。	房間很潮濕。	潮濕的環境會導致水份積聚。
	櫃門經常打開或沒有緊密關上。潮濕的空氣進入雪櫃。	減少雪櫃開門的次數和緊密關上雪櫃門。
	櫃門被擋住。	請將食物移離櫃門。
	門架或層架擋住。	請將門架和層架安裝在正確位置。
	將液體存放在開口容器中。	增加了雪櫃內部的濕度，請保持所有容器都被蓋住。
急凍室內有霜/冰塊積聚。	櫃門經常打開。	減少雪櫃開門的次數和緊密關上抽屜。
	門的密封性差。	確保櫃門門封條與雪櫃櫃門完全接觸，確保已密封。
	溫度沒有正確設置。	請參閱「控制面板」章節了解建議的溫度設定。



# 故障排除

在要求支援服務之前，請嘗試根據以下建議的解決方法。



如您有遇過以下情況	可能性	解決方法
<b>櫃門</b>		
櫃門沒有緊密關上。	櫃門被擋住。	請將食物移離櫃門。
	門架或層架擋住。	請將門架和層架安裝在正確位置。
	雪櫃剛安裝。	請移除所有包裝物料。
門很難打開。	門墊圈是骯髒或粘。	用溫和的肥皂和溫水清潔墊圈和表面，用軟布沖洗並擦乾。
門似乎不對稱。	櫃門需要對齊或雪櫃需要調整成水平線。	如果您需要調準櫃門請致電維修。
雪櫃不穩定或在打開和關閉櫃門時向前滾動。	雪櫃調節腳不貼合地板。	用手轉動調節腳，逆時針轉動直到滾子離開地板並且兩個調節腳都緊貼在地板上，開櫃門時可使雪櫃不能向前滾動。請參閱「雪櫃水平調節和開門/關門」部分。

---

Whirlpool® Registered trademark/TM Trademark of Whirlpool group of companies  
All rights reserved - <http://www.whirlpool.com.hk>, <http://www.whirlpool.com.sg>

註冊商標/惠而浦集團的TM商標  
版權所有 翻印必究 - <http://www.whirlpool.com.hk>, <http://www.whirlpool.com.sg>

