

Design	
Colour/Finish	Fingerprint Resistant Black Glass
Display	16-colour 3.5" TFT screen
Control	LCD Touch Control
Door / Handle Design	Triple Glass Soft Closing Door with Stainless Handle
Cavity Type	Enamelled
Capacity	73 litres
Cooking Shelves	5 shelves
Weight	40.5kg
Product Dimension	W 595mm x H 595mm x D 564mm (543mm*)
Cut Out Dimension	W 568 mm x H 585mm x D 550mm
Performance	
Heating Methods	Conventional, Grill, Turbo Grill, Forced Air, Convection Bake
Heating Temperature	90°C to 250°C
Functions	6TH SENSE Technology, Cook4, Defrost, Keep Warm, Rising, Convenience, Maxi Cooking, Slow Cooking, Eco Forced Air, Frozen Bake, Fast Preheat
Features	Kitchen Timer, Control Lock, Light, Favorites, Audible Signals
Cleaning	Pyrolytic Cleaning
Consumption Rates	
Energy Consumption	0.91 kwh/cycle
Energy Rating	Europe A+ Energy Efficiency
Accessories	
Wire Shelf x 2, Baking Tray x 1, 4-pt probe x 1, Telescopic Rails x 2, Drip Tray x 1	

Warranty
2-years (Exclude Commercial Use)

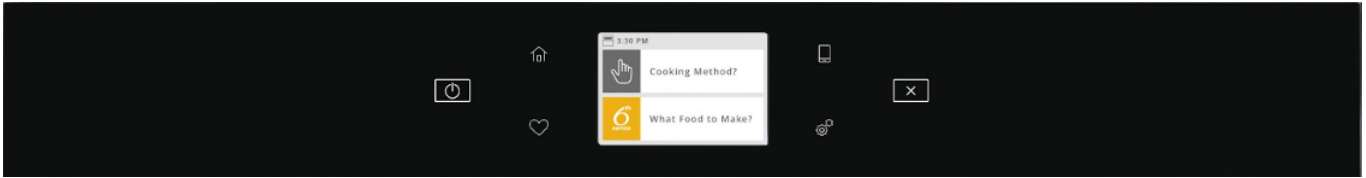
\*Depth (Door handle excluded)



**Features & Benefits**

	<p><b>&lt;6TH SENSE Technology&gt;</b> No more guesswork. Simply pick your recipes, and let 6th SENSE cook them to perfection, every time. Up to 60 cooking recipes, organized to fit your lifestyle and diet, for a full assisted cooking experience.</p>
	<p><b>&lt;MultiSense Probe&gt;</b> Specially designed to be used with different types of food and sizes of dishes. The self-supporting probe monitors the food's temperature in 4 points which then adjusts the temperature and time to guarantee flawlessly cooked dishes..</p>
	<p><b>&lt;Cook4&gt;</b> Cook up to four dishes at the same time without mixing of flavours or aromas</p>
	<p><b>&lt;Ready2Cook&gt;</b> No pre-heat , your oven is ready when you are. Ready2Cook is a unique airflow that creates the right temperature to get perfect results. Allowing you to save valuable time and up to 20% energy.* (* Maximum saving obtained in tests with various combinations of dishes using "no pre-heat" function compared to using "pre-heat" function.)</p>
	<p><b>&lt;Pyrolytic Technology&gt;</b> High temperature cycle to burn food residues into ashes, which can be easily wiped away with a sponge.</p>
	<p><b>&lt;Assisted Display&gt;</b> 16-colour 3.5" touchscreen that captures all the performance of Whirlpool's fantastic functions. Its slideshow capability provides intuitive images, simple suggestions and clear instructions for a unique assisted-cooking experience.</p>

Control Panel

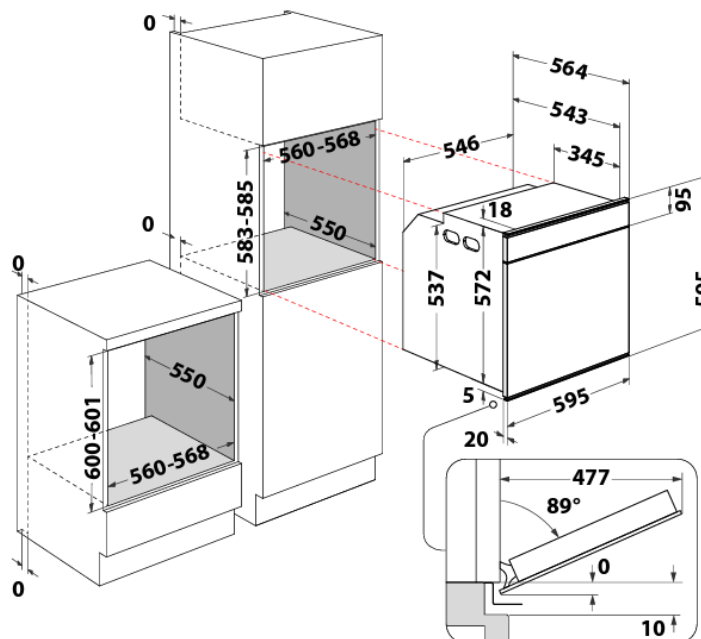


Technical Specifications

Max. Total Power	3650 W
Voltage	220-240 V
Frequency	50/60Hz
Default Current	16A
Current Settings	13A/16A
Length of Electrical Cord	90 cm
Plug	No plug
Packaging Dimensions	W 630mm x H 690 mm x D 650mm
Gross Weight	42.5 kg
Net Weight	40.5 kg
Place of Manufacture	Italy

Installation Information

Product Dimensions	W 595mm x H 595mm x D 564mm (543mm*)
Cut Out Dimensions	As indicated in below illustration



\*Depth (Door handle excluded)