

Design	
Colour/Finish	Fingerprint Resistant Black Glass
Display	LCD Digital
Control	LCD Touch Control
Door / Handle Design	Quadruple Glass Soft Closing Door with Stainless Handle
Cavity Type	Enamelled
Capacity	73 litres
Cooking Shelves	5 shelves
Weight	42.5kg
Product Dimension	W 595mm x H 595mm x D 564mm (543mm*)
Cut Out Dimension	W 560-568mm x H 583-585mm x D 550mm
Performance	
Heating Methods	Forced Air+Steam, Conventional, Convection, Maxi Cooking, Forced Air, Eco Forced Air, Pizza/Bread Program, Pastry Function, Grill, Turbo Grill, Frozen Bake, Defrost, Keep Warm, Rising, Fast Preheat
Heating Temperature	50°C to 250°C
Functions	6TH Sense Technology, Assisted SteamSense, Cook4, Browning/Doneness, Descaling/Draining
Features	Eco mode, Favorites, Timer, Child lock, Residual Heat Indicator, Acoustic Signal, Easy to Clean Enamel Cavity
Cleaning	Pyrolytic
Consumption Rates	
Energy Consumption	0.91kwh/cycle
Energy Rating	Europe A+ energy efficiency
Accessories	
2 Wire Shelf, 1 Enamelled Baking Tray, 1 Enamelled Deep Tray, 1 Pair of Telescopic Rails	

Warranty
2 years (exclude Commercial Use)

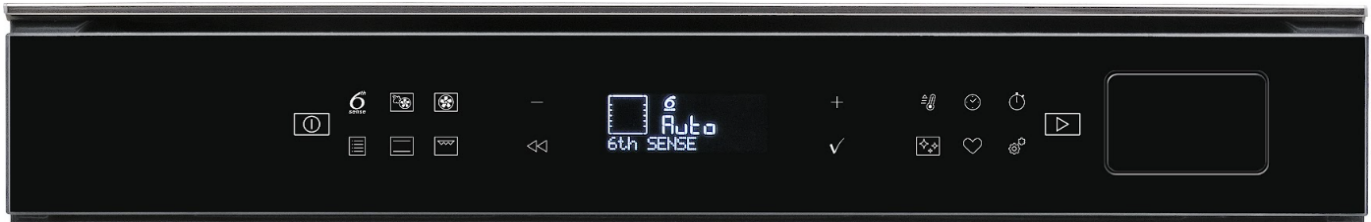
*Depth (Door handle excluded)



Features & Benefits

	<p><6TH SENSE Technology> No more guesswork. Simply pick your recipes, and let 6th SENSE cook them to perfection, every time. Up to 40 cooking combinations organized to fit your lifestyle and diet, for a full assisted cooking experience.</p>
	<p><Assisted SteamSense> Maximum taste and better consistency by combining vapour and heat.</p>
	<p><Cook4> Cook up to four dishes at the same time without mixing of flavours or aromas</p>
	<p><Pyrolytic Technology> High temperature cycle to burn food residues into ashes, which can be easily wiped away with a sponge.</p>
	<p><Ready2Cook> No pre-heat, your oven is ready when you are. Ready2Cook is a unique airflow that creates the right temperature to get perfect results. Allowing you to save valuable time and up to 20% energy.* (* Maximum saving obtained in tests with various combinations of dishes using "no pre-heat" function compared to using "pre-heat" function.)</p>
	<p><Assisted Display> Select the food category and follow the guidance.</p>

Control Panel

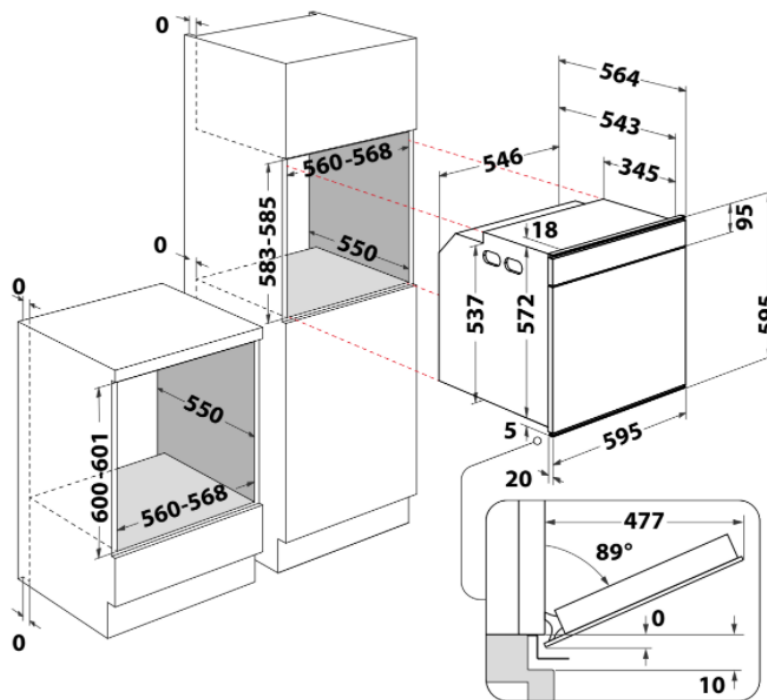


Technical Specifications

Max. Total Power	3650 W
Voltage	220-240 V
Frequency	50/60Hz
Default Current	16A
Current Settings	13A/ 16A
Length of Electrical Cord	90cm
Plug	No Plug
Packaging Dimensions	W 630mm x H 690mm x D 650mm
Gross Weight	42.5kg
Net Weight	40.5kg
Place of Manufacture	Italy

Installation Information

Product Dimensions	W 595mm x H 595mm x D 564mm (543mm*)
Cut Out Dimensions	As indicated in below illustration



*Depth (Door handle excluded)