

Design	
Colour/Finish	Fingerprint Resistant Black Glass
Display	LCD
Control	Electronic Touch Sensor
Door / Handle Design	Full Glass Soft Closing Door with Stainless Handle
Cavity Type	Stainless Steel
Capacity	40 litres
Turntable	400mm
Weight	29.7 kg
Product Dimension	W 595mm x H 455mm x D 554mm (535mm*)
Cut Out Dimension	W 556mm x H 450mm x D 550mm
Performance	
Programmes	6th Sense Steam, 6th Sense Reheat, 6th Sense Cooking, Crisp Fry, Microwave, Crisp, Grill, Turbo Grill, Turbo Grill+Microwave, Grill+Microwave, Forced Air, Forced Air+Microwave, Keep Warm, Rising, Jet Defrost, Jet Bread Defrost, Fast Preheat, Browning/Doneness
Features	Favorites, Timer, Delayed Start/Stop, Child Lock, Acoustic Signal, Residual Heat Indicator
Power Levels	7 Power Levels
Microwave Power	900W
Grill Power	1600W
Accessories	
Glass Turntable, Turntable Support, Crisp Plate, Wire Rack, Baking Tray, Steamer, Crisp Handle	

Warranty
2 years (exclude Commercial Use)

*Depth (Door Handle Excluded)



Features & Benefits

	<p><6TH SENSE Technology> No more guesswork. Simply pick your recipes, and let 6th SENSE cook them to perfection, every time. Up to 78 cooking combinations organized to fit your lifestyle and diet, for a full assisted cooking experience.</p>
	<p><Crisp Fry> Unbeatable crispness with less oil. This Whirlpool Microwave's Crisp function and dedicated pan ensures you can cook the crispiest pizza, pie or quiche, anytime.</p>
	<p><Steam & Boil> Harnessing the natural power of steam, this convenient programme keeps flavours and nutrients sealed in, and steams or boils food in a set of special accessories for easier preparation and faster, tastier results.</p>
	<p><Forced Air> Preheated air is circulated inside using an innovative convection system, giving you moist, juicy cooking results.</p>
	<p><Smart Clean> Smart Clean enables the steam to release during special low-temperature cleaning cycle allows dirt and food residues to be removed with ease. With SmartClean, the oven can be cleaned quickly and environmentally.</p>
	<p><Assisted Display> Provides clear, common-sense instructions for easy microwave cooking</p>

Control Panel

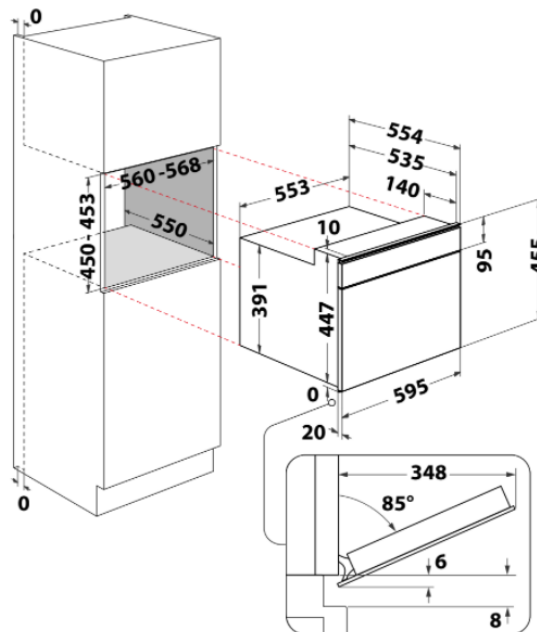


Technical Specifications

Power	2800 W
Voltage	230 V
Current	16A
Frequency	50/60Hz
Length of Electrical Cord	135cm
Plug	No Plug
Packaging Dimensions	W 669mm x H 561mm x D 685mm
Gross Weight	33.4kg
Net Weight	29.7kg
Place of Manufacture	Italy

Installation Information

Product Dimensions	W 595mm x H 455mm x D 554mm (535mm*)
Cut Out Dimensions	As indicated in below illustration



*Depth (Door Handle Excluded)