

| Design | |
|---|---|
| Colour/Finish | Fingerprint Resistant Black Glass |
| Display | LCD Digital |
| Control | LCD Touch Control |
| Door / Handle Design | Triplel Glass Door with Stainless Handle |
| Cavity Type | Stainless steel |
| Capacity | 29 litres |
| Water Tank | 1.2 litres |
| Cooking Shelves | 3 shelves |
| Weight | 32kg |
| Product Dimension | W 595mm x H 455mm x D 516mm (496mm*) |
| Cut Out Dimension | W 560-568 mm x H 450-453mm x D 550mm |
| Performance | |
| Heating Methods | Forced Air+Steam, Forced Air, Steam, Steam Reheat, Steam Defrost, Rising, Finishing, Preheat, Preservation, Yoghurt, Disinfection |
| Heating Temperature | 40°C to 230°C |
| Functions | 6TH SENSE Technology, Draining/Descaling |
| Features | Timer, Minuteminder, Favorites, Eco Mode |
| Cleaning | SmartClean |
| Consumption Rates | |
| Energy Consumption | 0.6 kwh/cycle |
| Energy Rating | Europe A Energy Efficiency |
| Accessories | |
| Wire Shelf, Baking Tray, Steam Tray, Water Tank, Sponge | |

| Warranty |
|----------------------------------|
| 2 years (exclude Commercial Use) |

*Depth (Door handle excluded)



Features & Benefits

| | |
|--|--|
| | <p><6TH SENSE Technology> No more guesswork. Simply pick your recipes, and let 6th SENSE cook them to perfection, every time. Up to 40 cooking combinations organized to fit your lifestyle and diet, for a full assisted cooking experience.</p> |
| | <p><Pure SteamSense+> 100% Steam Cooking preserves nutrients at best and the Combi Steam cooks delicately reducing cooking time</p> |
| | <p><Disinfection> For sterilizing baby bottles or jars using steam.</p> |
| | <p><Forced Air> Preheated air is circulated inside using an innovative convection system, giving you moist, juicy cooking results</p> |
| | <p><Smart Clean> Smart Clean enables the steam to release during special low-temperature cleaning cycle allows dirt and food residues to be removed with ease. With SmartClean, the oven can be cleaned quickly and environmentally.</p> |
| | <p><Assisted Display> Provides clear, common-sense instructions for easy microwave cooking</p> |

W COLLECTION 45cm Built-in Pure SteamSense+ Combi Oven

Control Panel

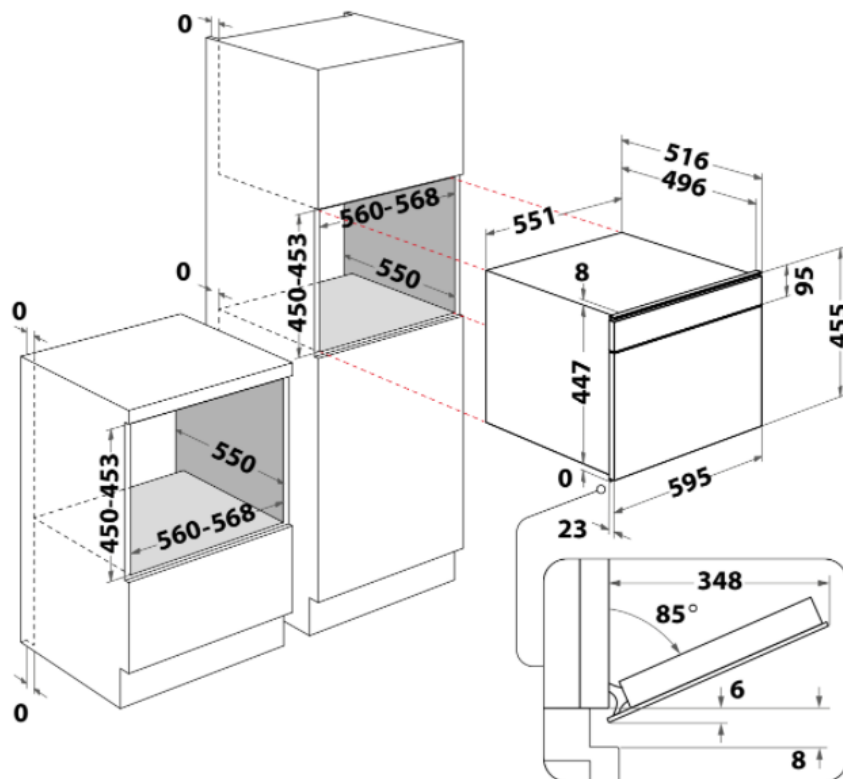


Technical Specifications

| | |
|---------------------------|------------------------------|
| Max. Total Power | 1450 W |
| Voltage | 220-240 V |
| Frequency | 50/60Hz |
| Current | 13A |
| Length of Electrical Cord | 125 cm |
| Plug | No Plug |
| Packaging Dimensions | W 668mm x H 585 mm x D 688mm |
| Gross Weight | 30 kg |
| Net Weight | 32 kg |
| Place of Manufacture | Italy |

Installation Information

| | |
|--------------------|--------------------------------------|
| Product Dimensions | W 595mm x H 455mm x D 516mm (496mm*) |
| Cut Out Dimensions | As indicated in below illustration |



*Depth (Door handle excluded)